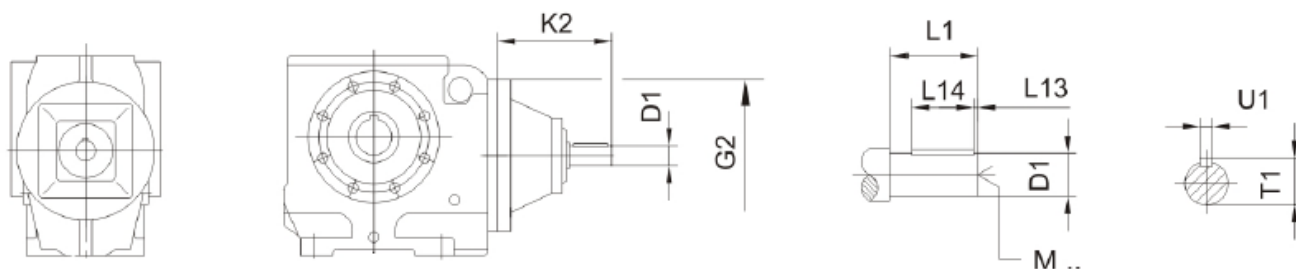
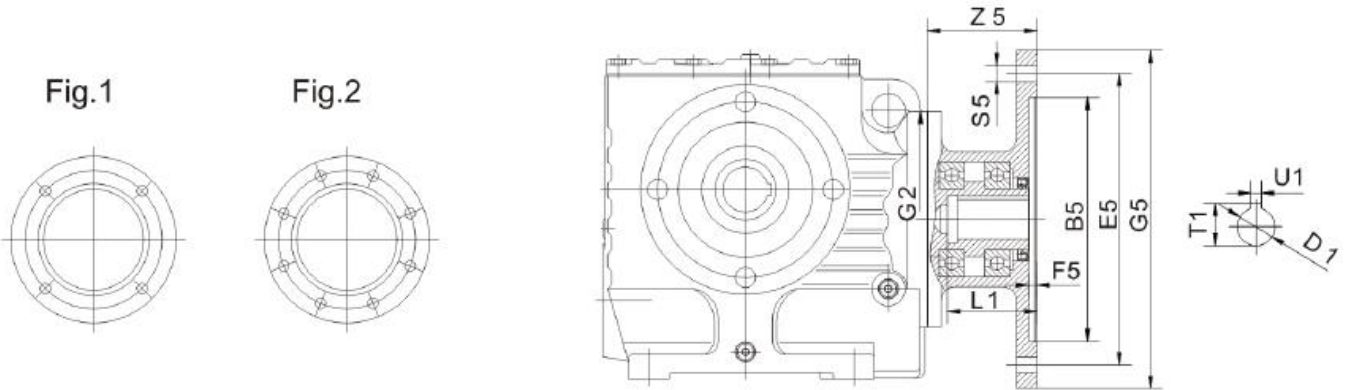


Габаритные размеры адаптера AD.



| | | G2 | K2 | D1 | L1 | L13 | L14 | T1 | U1 | M |
|-----------------------|-----|-----|-----|----|-----|-----|-----|------|----|-----|
| S..37, S..47,S..57 | AD1 | 120 | 102 | 16 | 40 | 4 | 32 | 18 | 5 | M5 |
| | AD2 | | 130 | 19 | 40 | 4 | 32 | 21.5 | 6 | M6 |
| S..67 | AD2 | 160 | 123 | 19 | 40 | 4 | 32 | 21.5 | 6 | M6 |
| | AD3 | | 159 | 24 | 50 | 5 | 40 | 27 | 8 | M8 |
| S..77 | AD2 | 200 | 116 | 19 | 40 | 4 | 32 | 21.5 | 6 | M6 |
| | AD3 | | 151 | 24 | 50 | 5 | 40 | 27 | 8 | M8 |
| | AD4 | | 224 | 38 | 80 | 5 | 70 | 41 | 10 | M12 |
| S..87 | AD2 | 250 | 111 | 19 | 40 | 4 | 32 | 21.5 | 6 | M6 |
| | AD3 | | 156 | 28 | 60 | 5 | 50 | 31 | 8 | M10 |
| | AD4 | | 219 | 38 | 80 | 5 | 70 | 41 | 10 | M12 |
| | AD5 | | 292 | 42 | 110 | 10 | 70 | 45 | 12 | M16 |
| S..97 | AD3 | 300 | 151 | 28 | 60 | 5 | 50 | 31 | 8 | M10 |
| | AD4 | | 214 | 38 | 80 | 5 | 70 | 41 | 10 | M12 |
| | AD5 | | 287 | 42 | 110 | 10 | 70 | 45 | 12 | M16 |
| | AD6 | | 324 | 48 | 110 | 10 | 80 | 51.5 | 14 | M16 |

Габаритные размеры адаптера AM.



| | | Fig | B5 | E5 | F5 | G2 | G5 | S5 | Z5 | D1 | L1 | T1 | U1 |
|---------------------------|----------------------|------|-----|-----|-----|-----|-----|-----|-----|----|------|------|-----|
| S..37, S..47, S..57 | AM63 | 1 | 95 | 115 | 3.5 | 120 | 140 | M8 | 50 | 11 | 23 | 12.8 | 4 |
| | AM71 ¹⁾ | | 110 | 130 | | | 14 | | | 30 | 16.3 | 5 | |
| | AM80 ¹⁾ | | 130 | 165 | 4.5 | | 200 | M10 | 69 | 19 | 40 | 21.8 | 6 |
| | AM90 ¹⁾ | | | | | | | | | 24 | 50 | 27.3 | 8 |
| S..67 | AM63 | 1 | 95 | 115 | 3.5 | 160 | 140 | M8 | 50 | 11 | 23 | 12.8 | 4 |
| | AM71 | | 110 | 130 | | | 14 | | | 30 | 16.3 | 5 | |
| | AM80 | | 130 | 165 | 4.5 | | 200 | M10 | 69 | 19 | 40 | 21.8 | 6 |
| | AM90 | | | | | | | | | 24 | 50 | 27.3 | 8 |
| | AM100 ¹⁾ | | 180 | 215 | 5 | | 250 | M12 | 81 | 28 | 60 | 31.3 | 8 |
| | AM112 ¹⁾ | | | | | | | | | | | | |
| S..77 | AM63 | 1 | 95 | 115 | 3.5 | 200 | 140 | M8 | 54 | 11 | 23 | 12.8 | 4 |
| | AM71 | | 110 | 130 | | | 14 | | | 30 | 16.3 | 5 | |
| | AM80 | | 130 | 165 | 4.5 | | 200 | M10 | 69 | 19 | 40 | 21.8 | 6 |
| | AM90 | | | | | | | | | 24 | 50 | 27.3 | 8 |
| | AM100 ¹⁾ | | 180 | 215 | 5 | | 250 | M12 | 81 | 28 | 60 | 31.3 | 8 |
| | AM112 ¹⁾ | | | | | | | | | | | | |
| | AM132S ¹⁾ | | 230 | 265 | | | 300 | | 92 | 38 | 80 | 41.3 | 10 |
| | AM132M ¹⁾ | | | | | | | | | | | | |
| AM132ML ¹⁾ | | | | | | | | | | | | | |
| S..87 | AM80 | 1 | 130 | 165 | 4.5 | 250 | 200 | M10 | 69 | 19 | 40 | 21.8 | 6 |
| | AM90 | | | | | | | | | 24 | 50 | 27.3 | 8 |
| | AM100 | | 180 | 215 | 5 | | 250 | M12 | 81 | 28 | 60 | 31.3 | 8 |
| | AM112 | | | | | | | | | | | | |
| | AM132MS | | 230 | 265 | | | 300 | | 92 | 38 | 80 | 41.3 | 10 |
| | AM132M | | | | | | | | | | | | |
| | AM132ML | | | | | | | | | | | | |
| | AM160 ¹⁾ | | 250 | 300 | 6 | | 350 | M16 | 125 | 42 | 110 | 45.3 | 12 |
| AM180 ¹⁾ | 48 | 51.8 | | | | 14 | | | | | | | |
| S..97 | AM100 | 1 | 180 | 215 | 5 | 300 | 250 | M12 | 81 | 28 | 60 | 31.3 | 8 |
| | AM112 | | | | | | | | | | | | |
| | AM132S | | 230 | 265 | | | 300 | M12 | 92 | 38 | 80 | 41.3 | 10 |
| | AM132M | | | | | | | | | | | | |
| | AM132ML | | | | | | | | | | | | |
| | AM160 | | 250 | 300 | 6 | | 350 | M16 | 125 | 42 | 110 | 45.3 | 12 |
| | AM180 | | | | | | | | | 48 | | 51.8 | 14 |
| | AM200 ¹⁾ | | 300 | 350 | 7 | | 400 | | 144 | 55 | | 59.3 | 16 |
| AM225 ¹⁾ | 2 | 350 | | | | 400 | | | | | | 7 | 450 |