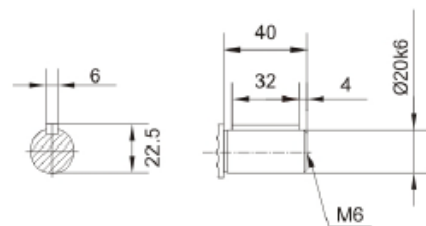
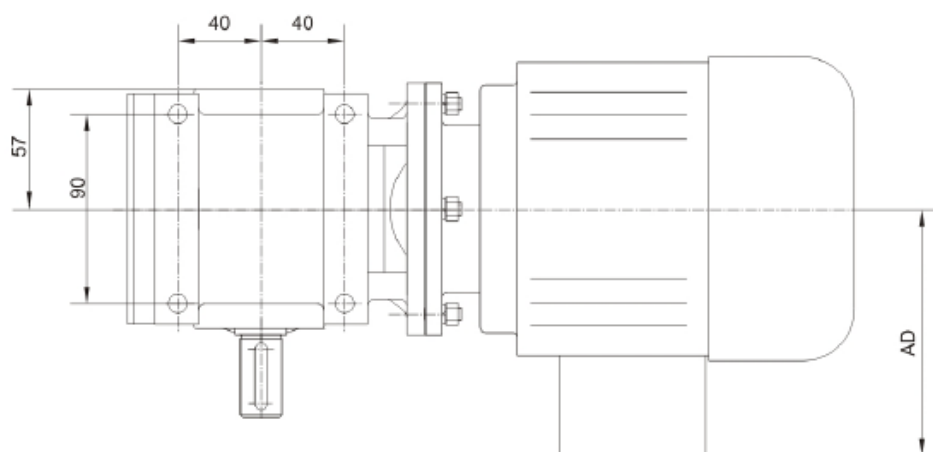
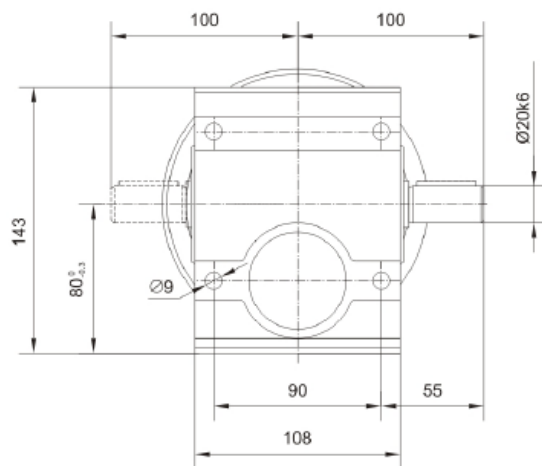
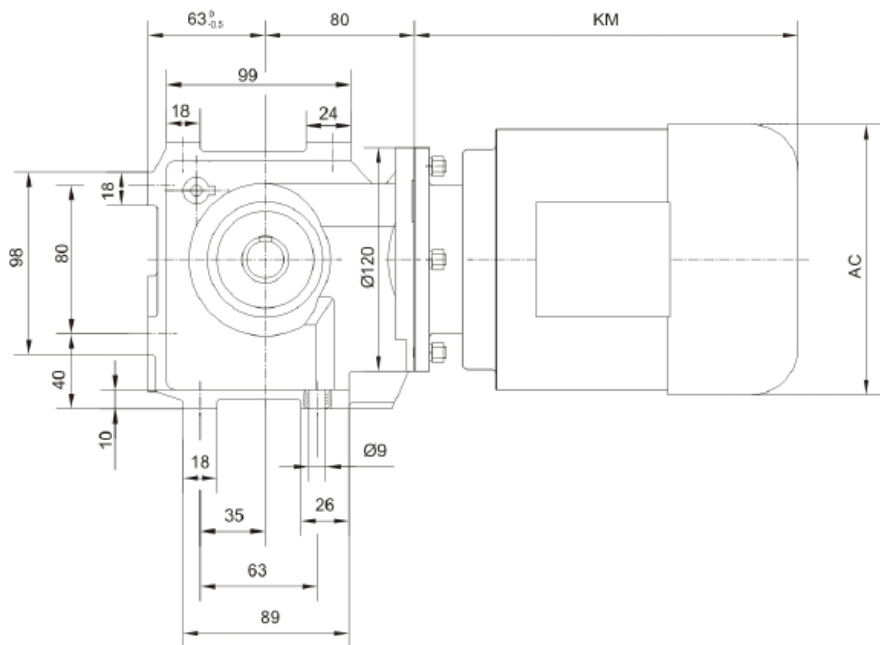
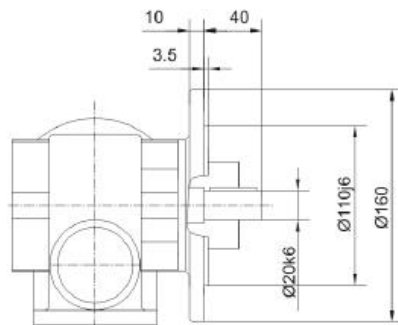
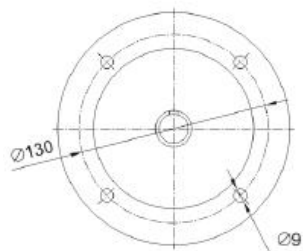
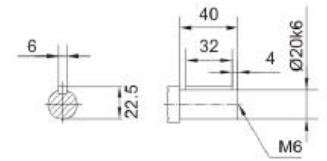
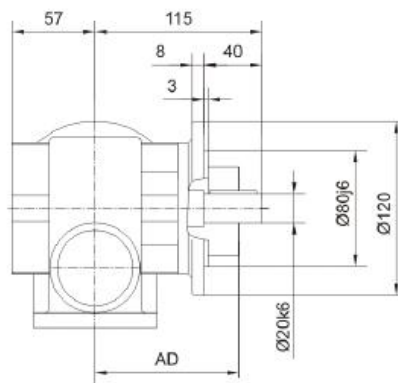
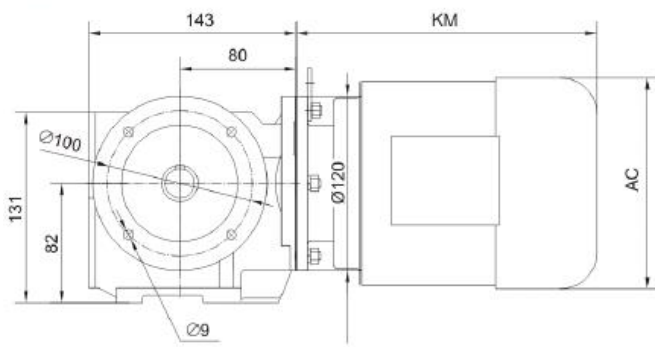


Габаритные размеры.

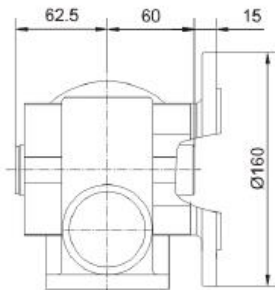
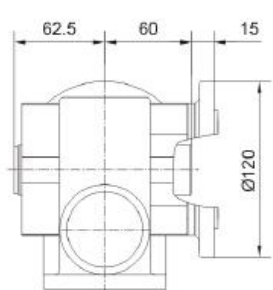
**S37..**



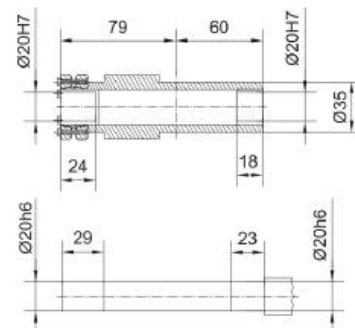
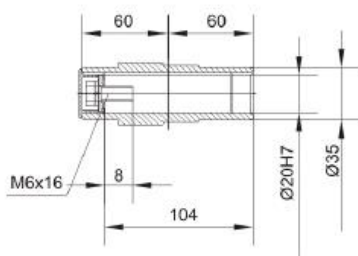
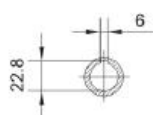
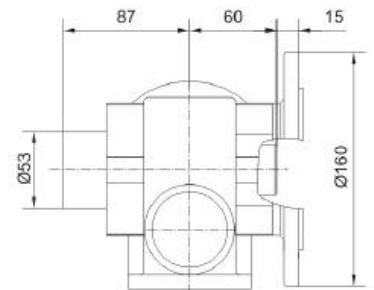
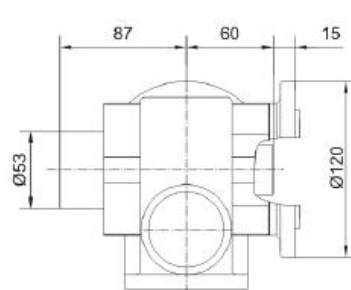
**SF37..**



**SAF37..**

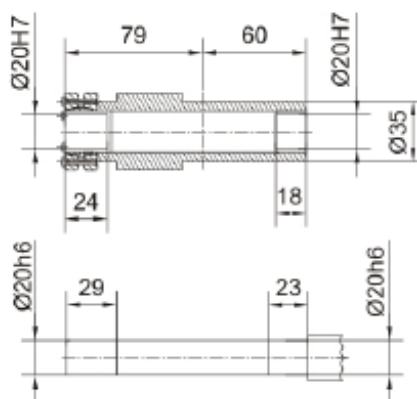
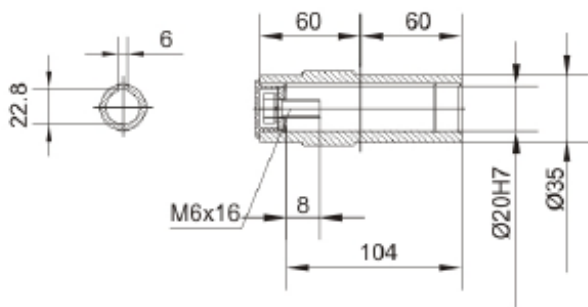
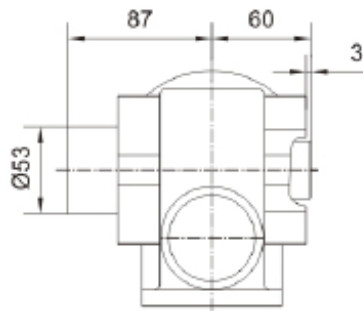
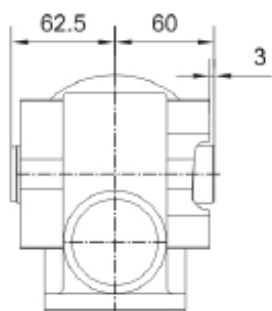
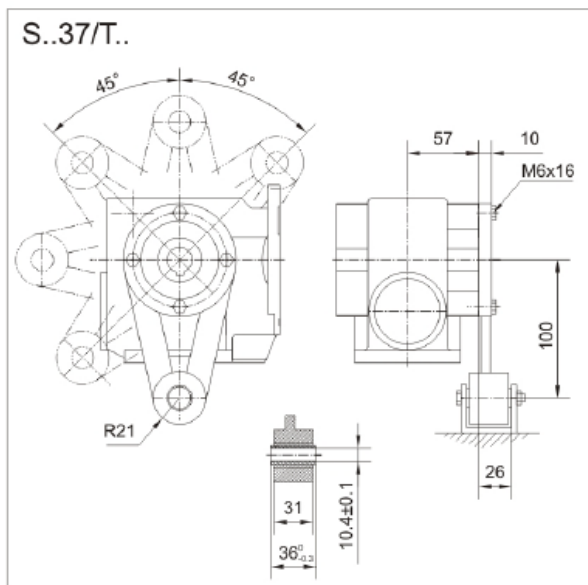
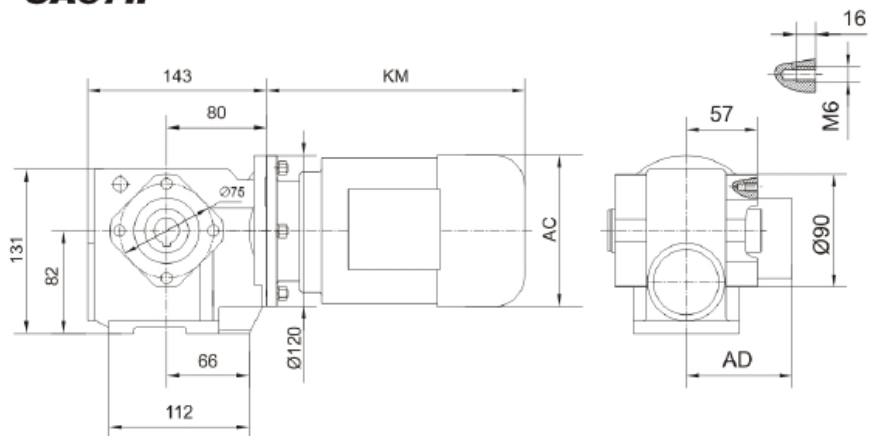


**SHF37..**



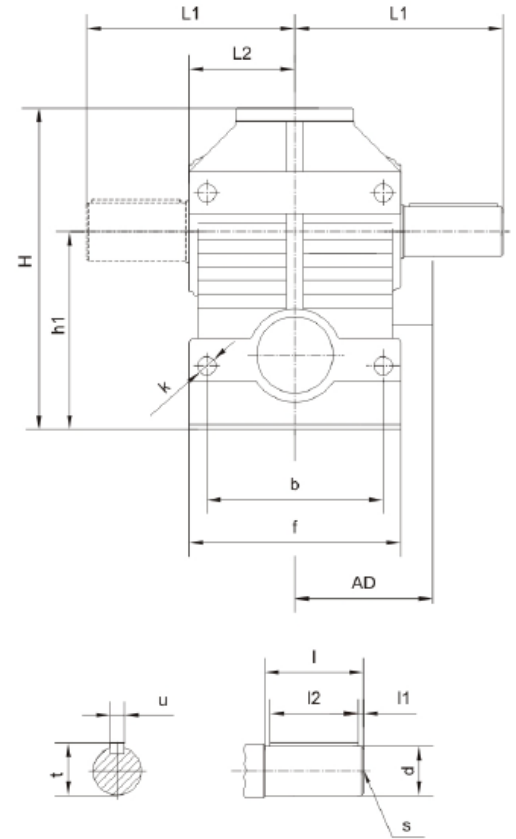
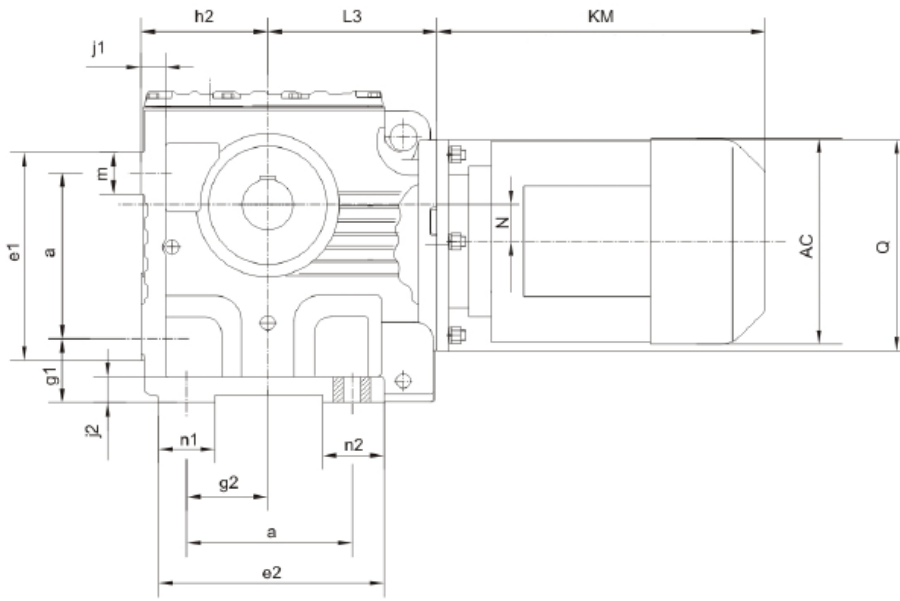
# Червячные мотор-редукторы серии S

## SA37..



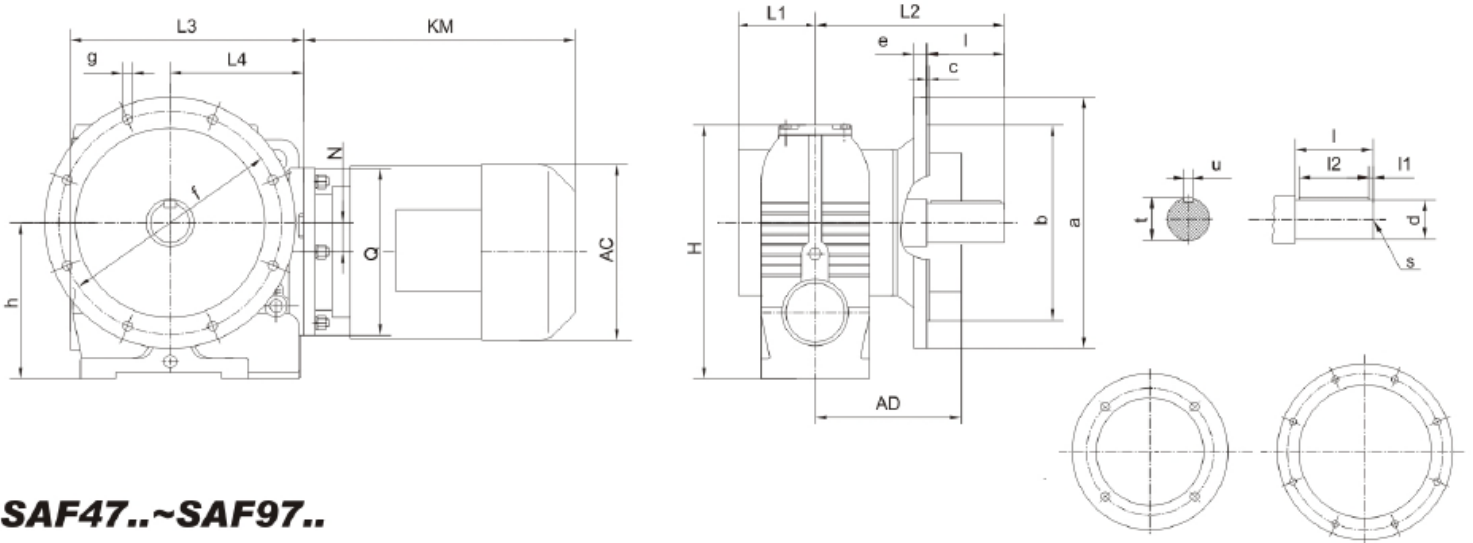
# Червячные мотор-редукторы серии S

## S47..~S97..



Model	a b	e <sub>1</sub> e <sub>2</sub> f	g <sub>1</sub> g <sub>2</sub>	h <sub>1</sub> h <sub>2</sub>	j j k	m n <sub>1</sub> n <sub>2</sub>	Shaft dimension				L <sub>1</sub> L <sub>2</sub> L <sub>3</sub>	H	N Q
							d l	l <sub>1</sub> l <sub>2</sub>	s	t u			
S47..	80	105	35	100 <sub>-0.5</sub>	12	25	25k6	5	M10	28	115	165	8 120
	100	112	35	75 <sub>-0.5</sub>	15	30	50	40		8	60		
	120				11	30					96		
S57..	100	130	35	112 <sub>-0.5</sub>	12	30	30k6	3.5	M10	33	134	189	20 120
	110	130	45	80 <sub>-0.5</sub>	15	30	60	50		8	71		
	136				11	30					107		
S67..	130	170	40	140 <sub>-0.5</sub>	15	40	35k6	7	M12	38	160	236	22 160
	130	175	60	106 <sub>-0.5</sub>	20	45	70	56		10	85.5		
		160			13.5	45					135		
S77..	135	177	70	180 <sub>-0.5</sub>	25	42	45k6	5	M16	48.5	195	301	34 200
	150	204	75	125 <sub>-0.5</sub>	25	50	90	80		14	101		
		185			17.5	69					162		
S87..	180	230	82	225 <sub>-0.5</sub>	30	50	60m6	5	M20	64	255	368	37.5 250
	200	247	92	150 <sub>-0.5</sub>	30	60	120	110		18	130		
		250			22	67					190		
S97..	235	295	90	280 <sub>-1</sub>	35	60	70m6	7.5	M20	74.5	295	455	52 300
	250	320	115	180 <sub>-0.5</sub>	35	80	140	125		20	150		
		300			26	85					240		

**SF47..~SF97..**



**SAF47..~SAF97..**

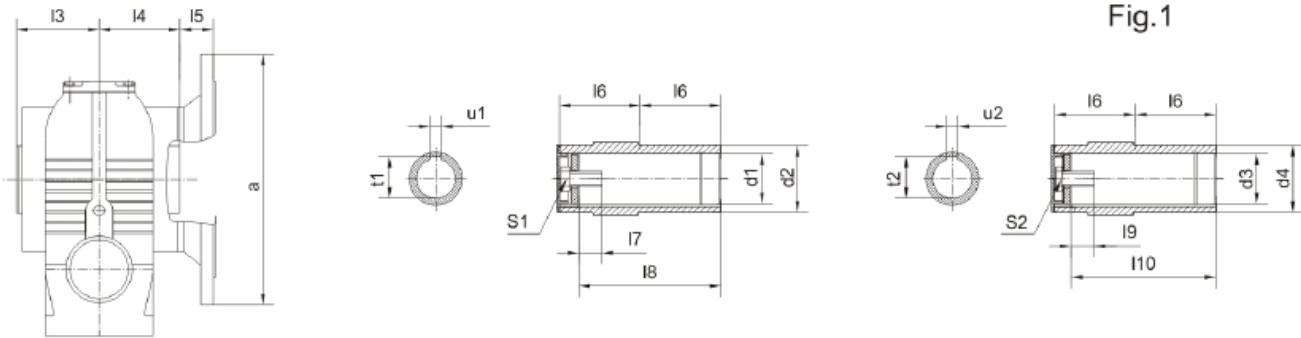


Fig.1

Fig.2

d	flange form	a b	c e	f g h	Shaft dimension			Hollow shaft dimension			Hollow shaft dimension			H	L1 L2 L3	N Q	
					d l	l1 l2	s t u	d1 d2	l3 l4 l5	l6 l7 l8	s t u	d3 d4	l9 l10				s2 t2 u2
SF47.. SAF47..	Fig.1	160 110j6	3.5 10	130 9 100	25k6 50	5 40	M10 28 8	30 <sup>H7</sup> 45	63 60 24	60 17 105	M10X25 33.3 8	25 <sup>H7</sup> 45	17 105	M10X25 28.3 8	179	57.5 133.5 171	8 120
SF57.. SAF57..	Fig.1	200 130j6	3.5 12	165 11 112	30k6 60	3.5 50	M10 33 8	35 <sup>H7</sup> 50	78 75 25	75 22 132	M12X30 38.3 10	30 <sup>H7</sup> 50	17 132	M10X25 33.3 8	189	72 160 187	20 120
SF67.. SAF67..	Fig.1	200 130j6	3.5 12	165 11 140	35k6 70	7 56	M12 38 10	45 <sup>H7</sup> 65	87 84 42.5	84 29 144	M16X40 48.8 14	40 <sup>H7</sup> 65	29 144	M16X40 43.3 12	236	80.5 190 242	22 160
SF77.. SAF77..	Fig.1	250 180j6	4 15	215 13.5 180	45k6 90	5 80	M16 48.5 14	60 <sup>H7</sup> 80	108 105 45.5	105 37 180	M20X50 64.4 18	50 <sup>H7</sup> 80	32 183	M16X45 53.8 14	301	121 232 287	34 200
SF87.. SAF87..	Fig.1	350 250h6	5 18	300 17.5 225	60m6 120	5 110	M20 64 18	70 <sup>H7</sup> 95	128 125 52.5	125 34 220	M20X50 74.9 20	60 <sup>H7</sup> 95	36 220	M20X50 64.4 18	368	145 290 340	37.5 250
SF97.. SAF97..	Fig.2	450 350h6	5 22	400 17.5 280	70m6 140	7.5 125	M20 74.5 20	90 <sup>H7</sup> 120	149 145 60	145 41 255	M24X60 95.4 25	70 <sup>H7</sup> 120	34 260	M20X50 74.9 20	455	165 340 420	52 300

**SHF47..~SHF97..**

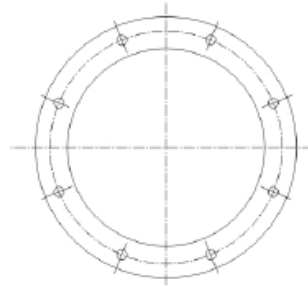
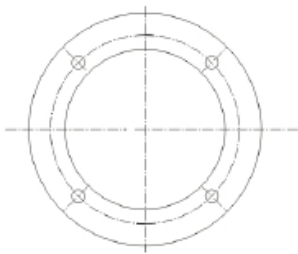
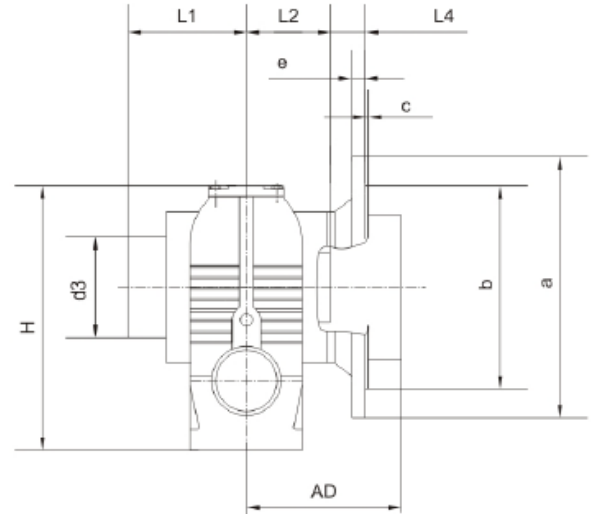
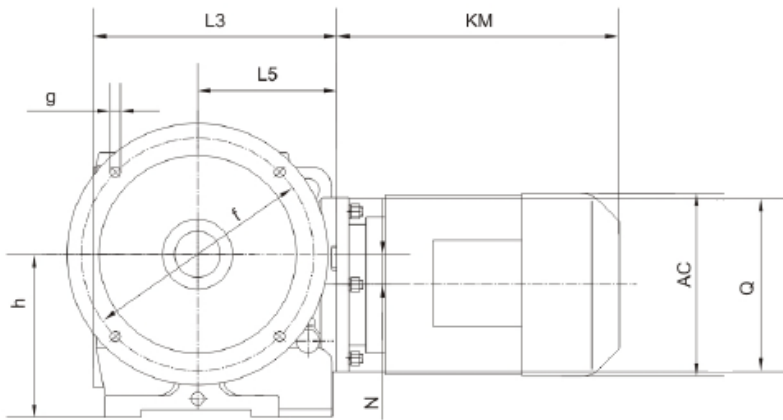
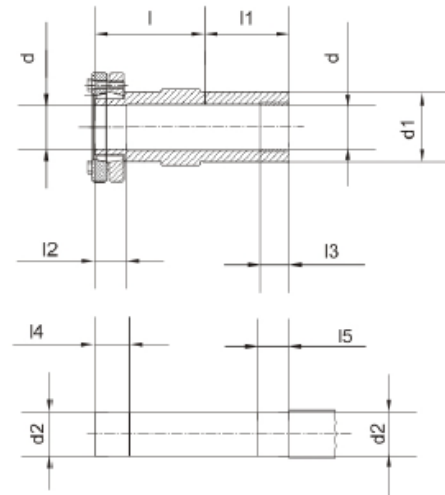


Fig.1

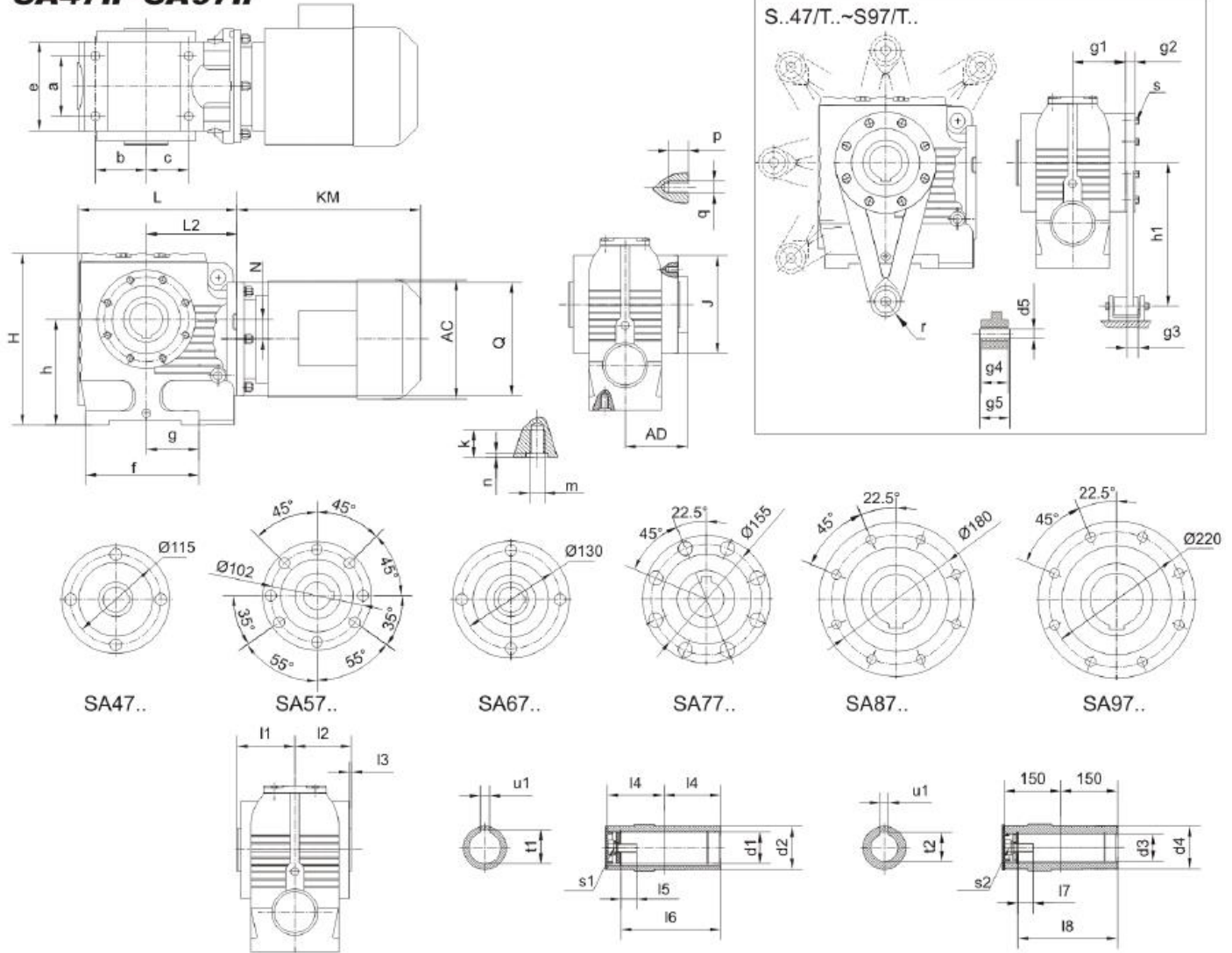
Fig.2



Model	flange form	a b	c e	f g h	H N Q	L <sub>1</sub> L <sub>2</sub>	L <sub>3</sub> L <sub>4</sub>	L <sub>5</sub> L <sub>6</sub>	Hollow shaft dimension			
									l l <sub>1</sub>	l <sub>2</sub> l <sub>3</sub>	l <sub>4</sub> l <sub>5</sub>	d d <sub>1</sub> d <sub>2</sub>
SHF47..	Fig.1	160 110j6	3.5 10	130 9 100	179 8 120	95 60	171 24	96 75	86 60	31 20	36 25	30H7 45 30h6
SHF57..	Fig.1	200 130j6	3.5 12	165 11 112	189 20 120	110 75	187 25	107 83	102 75	32 20	37 25	35H7 50 35h6
SHF67..	Fig.1	200 130j6	3.5 12	165 11 140	236 22 160	120 84	242 42.5	135 93	112 84	38 20	43 25	40H7 65 40h6
SHF77..	Fig.1	250 180j6	4 15	215 13.5 180	301 34 200	146 105	287 45.5	162 114	136 105	36 30	41 35	50H7 80 50h6
SHF87..	Fig.1	350 250h6	5 18	300 17.5 225	368 37.5 250	176 125	340 52.5	190 157	165 125	40 40	45 45	65H7 95 65h6
SHF97..	Fig.2	450 350h6	5 22	400 17.5 280	455 52 300	204 145	420 60	240 174	190 145	55 50	60 55	75H7 120 75h6

# Червячные мотор-редукторы серии S

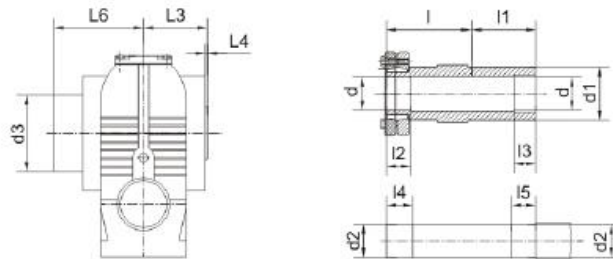
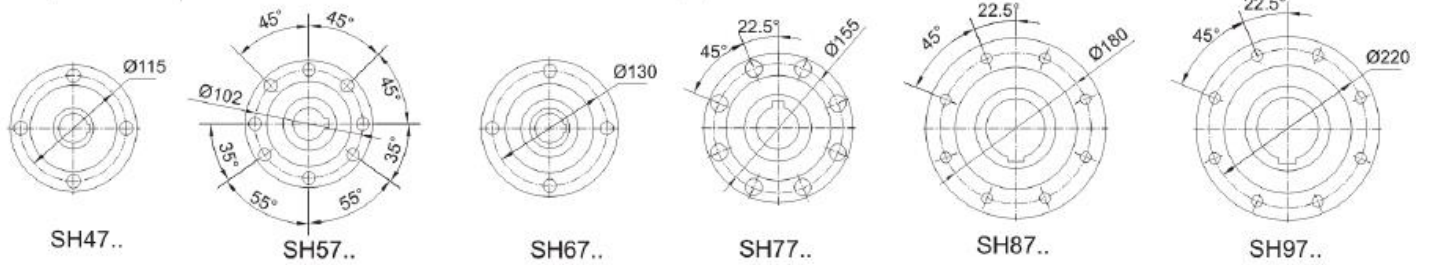
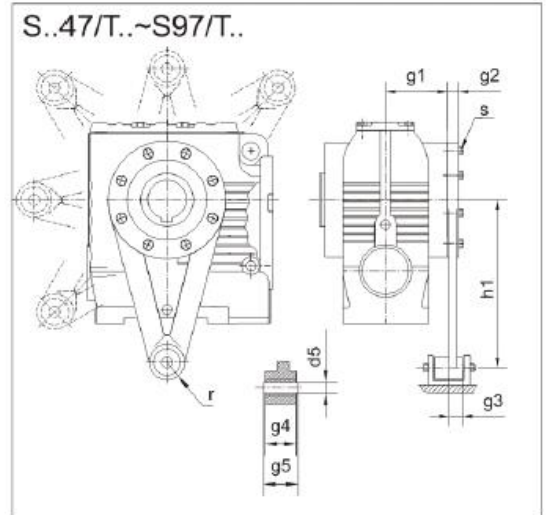
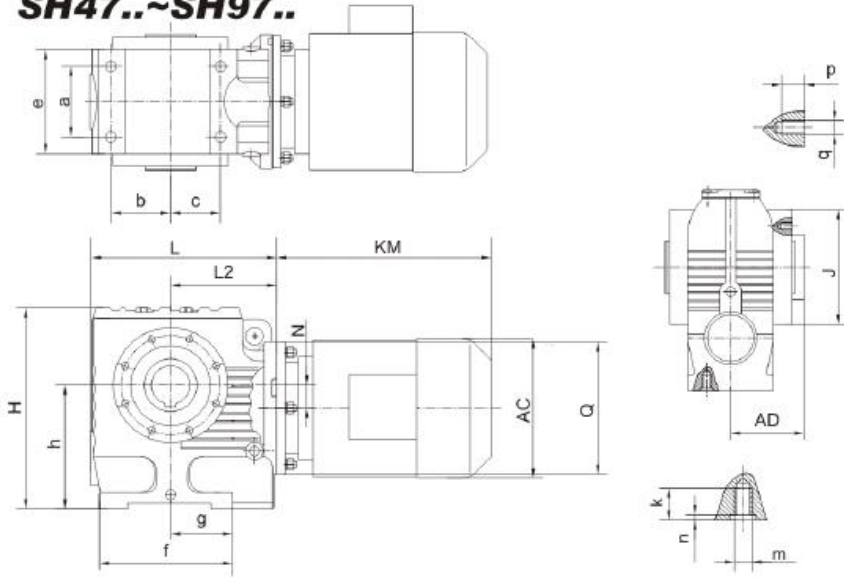
## SA47..~SA97..



Model	a b c	e f g	h	k m h	p q	Hollow shaft dimension			Hollow shaft dimension			Torque arm form			H L1 L2	N Q J	
						d1 d2	l1 l2 l3	l4 l5 l6	s1 t1 u1	d3 d4	l7 l8	s2 t2 u2	g1 g2 g3	g4 g5 h1			d5 r s3
SA47.. S..47/T..	60	94	100	20	12 M8	30 <sup>H7</sup>	63	60	M10X25	25 <sup>H7</sup>	17	M10X25	57.5	31	10.4±0.1	179	8
	35	127		60		17	33.3	45	105	28.3	15	36-0.3	21	171	120		
	52	67		2.5		105	8	45	105	8	20.5	130	M8X25	96	130		
SA57.. S..57/T..	60	100	112	20	12 M8	35 <sup>H7</sup>	78	75	M12X30	30 <sup>H7</sup>	17	M10X25	72	31	10.4±0.1	189	20
	58.5	146		75		22	38.3	50	132	33.3	15	36-0.3	21	187	120		
	58.5	73		3		132	10	50	132	8	18.5	160	M8X25	107	120		
SA67.. S..67/T..	88	128	140	25	20 M12	45 <sup>H7</sup>	87	84	M16X40	40 <sup>H7</sup>	29	M16X40	80.5	31	10.4±0.1	236	22
	71.5	182		84		29	48.8	65	144	43.3	18	36-0.3	21	242	160		
	80.5	95.5		3.5		144	14	65	144	12	19.5	200	M12X35	135	155		
SA77.. S..77/T..	102	154	180	32	20 M12	60 <sup>H7</sup>	108	105	M20X50	50 <sup>H7</sup>	32	M16X45	101	54	16.4±0.08	301	34
	85	204		105		37	64.4	80	183	53.8	18	60-0.3	30	287	200		
	85	104		4		180	18	80	183	14	32.5	250	M12X35	162	178		
SA87.. S..87/T..	118	194	225	32	26 M16	70 <sup>H7</sup>	128	125	M20X50	60 <sup>H7</sup>	36	M20X50	120	54	16.4±0.08	368	37.5
	115	260		125		34	74.9	95	220	64.4	24	60-0.5	30	340	250		
	110	125		5		220	20	95	220	18	25.5	310	M16X45	190	215		
SA97.. S..97/T..	160	236	280	36	26 M16	90 <sup>H7</sup>	149	145	M24X60	70 <sup>H7</sup>	34	M20X50	140	72	25±0.08	455	52
	135	301		145		41	95.4	120	260	74.9	26	80-0.5	40	420	300		
	113	140		5		255	25	120	260	20	33	380	M16X50	240	260		

# Червячные мотор-редукторы серии S

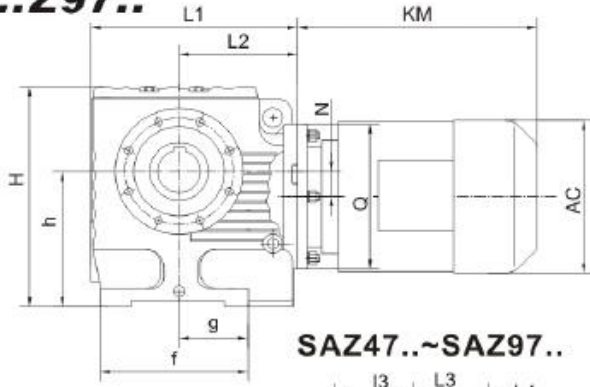
## SH47..~SH97..



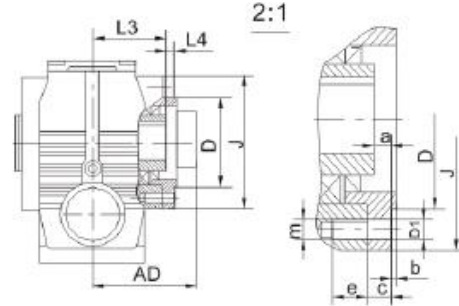
Model	a b c	e f g	h	k m h	p q	Hollow shaft dimension						Torque arm form			H L1 L2	L3 L4	N Q J			
						L L1	L2 L3	L4 L5	L6 d	d1 d2	d3	g1 g2 g3	g4 g5 h1	d5 r s3						
SH47/T..	60	94	100	20	12	86	31	36	95	45	75	57.5	31	10.4±0.1	179	60	8			
	35	127		M10	M8	60	20	25	30H7	30h6		15	36 <sub>0.3</sub>	21				171	2.5	120
	52	67		4	84	20	25	40H7	40h6	20.5		130	M8×25	96				130		
SH57/T..	60	100	112	20	12	102	32	37	110	50	83	72	31	10.4±0.1	189	75	20			
	58.5	146		M10	M8	75	20	25	35H7	35h6		15	36 <sub>0.3</sub>	21				187	2.5	120
	58.5	73		4	84	20	25	40H7	40h6	18.5		160	M8×25	107				120		
SH67/T..	88	128	140	25	20	112	38	43	120	65	93	80.5	31	10.4±0.1	236	84	22			
	71.5	182		M12	M12	84	20	25	40H7	40h6		18	36 <sub>0.3</sub>	21				242	3.5	160
	80.5	95.5		5	84	20	25	40H7	40h6	19.5		200	M12×35	135				155		
SH77/T..	102	154	180	32	20	136	36	41	146	80	114	101	54	16.4±0.08	301	105	34			
	85	204		M16	M12	105	30	35	50H7	50h6		18	60 <sub>0.3</sub>	30				287	4	200
	85	104		6	84	20	35	50H7	50h6	32.5		250	M12×35	162				178		
SH87/T..	118	194	225	32	26	165	40	45	176	95	157	120	54	16.4±0.08	368	125	375			
	115	260		M16	M16	125	40	45	65H7	65h6		24	60 <sub>0.5</sub>	30				340	5	250
	110	125		6	84	20	45	65H7	65h6	25.5		310	M16×45	190				215		
SH97/T..	160	236	280	36	26	190	55	60	204	120	174	140	72	25±0.08	455	146	52			
	135	301		M20	M16	145	50	55	75H7	75h6		26	80 <sub>0.5</sub>	40				420	5	300
	113	140		6	84	20	55	75H7	75h6	33		380	M16×50	240				260		



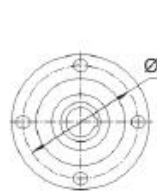
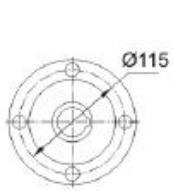
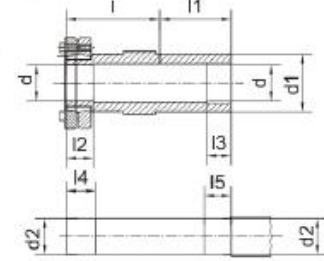
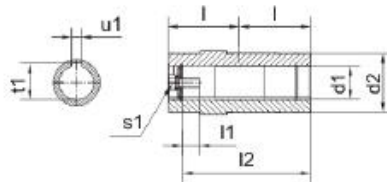
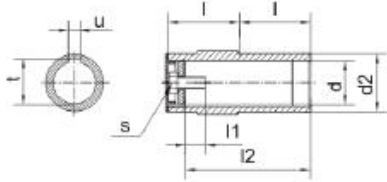
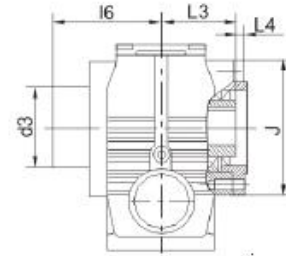
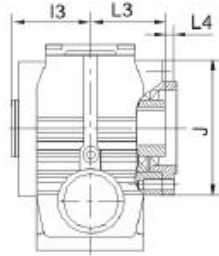
**S..Z97..**



**SAZ47..~SAZ97..**



**SHZ47..~SHZ97..**



**S..Z47..**

**S..Z57..**

**S..Z67..**

**S..Z77..**

**S..Z87..**

**S..Z97..**

Model	a	e	h	D	l	l1	l2	l3	l4	l5	l6	d	d1	d2	d3	u	u1	T	T1	S	S1	H	L3	N
	b	f	m	D1																		L1		
	c	g																			L2	L7	J	
SAZ47.. SHZ47..	8.5	12	100	95j6	60	17	105	63	-	-	-	30H7	25H7	45	-	8	8	33.3	28.3	M10×25	M10×25	179	60	8
	3	127	M8	9	86	60	31	20	36	25	95	30H7	45	30h6	75	-	-	-	-	-	-	171	8.5	120
SAZ57.. SHZ57..	8	12	112	80j6	75	22	132	78	-	-	-	35H7	30H7	50	-	10	8	38.3	33.3	M12×30	M10×25	189	75	20
	3	146	M8	9	102	75	32	20	37	25	110	35H7	50	35h6	83	-	-	-	-	-	-	187	8	120
SAZ67.. SHZ67..	9.5	20	140	105j6	84	29	144	87	-	-	-	45H7	40H7	65	-	14	12	48.8	43.3	M16×40	M16×40	236	84	22
	3.5	182	M12	13.5	112	84	38	20	43	25	120	40H7	65	40h6	93	-	-	-	-	-	-	242	9.5	160
SAZ77.. SHZ77..	14.5	18.5	180	125j6	105	37	180	108	-	-	-	60H7	50H7	80	-	18	14	64.4	53.8	M20×50	M16×45	301	105	34
	4	204	M12	13.5	136	105	36	30	41	35	146	50H7	80	50h6	114	-	-	-	-	-	-	287	14.5	200
SAZ87.. SHZ87..	18.5	23.5	225	150j6	125	36	220	128	-	-	-	70H7	60H7	95	-	20	18	74.9	64.4	M20×50	M20×50	368	125	375
	5	260	M16	17.5	165	125	40	40	45	45	176	65H7	95	65h6	157	-	-	-	-	-	-	340	18.5	250
SAZ97.. SHZ97..	18.5	23.5	280	180j6	145	41	255	149	-	-	-	90H7	70H7	120	-	25	20	95.4	74.9	M24×60	M20×50	455	145	52
	5	301	M16	17.5	190	145	55	50	60	55	204	75H7	120	75h6	174	-	-	-	-	-	-	420	18.5	300
	-	140																				240		260