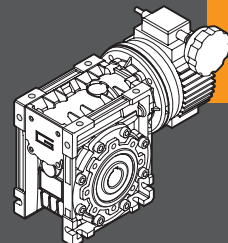


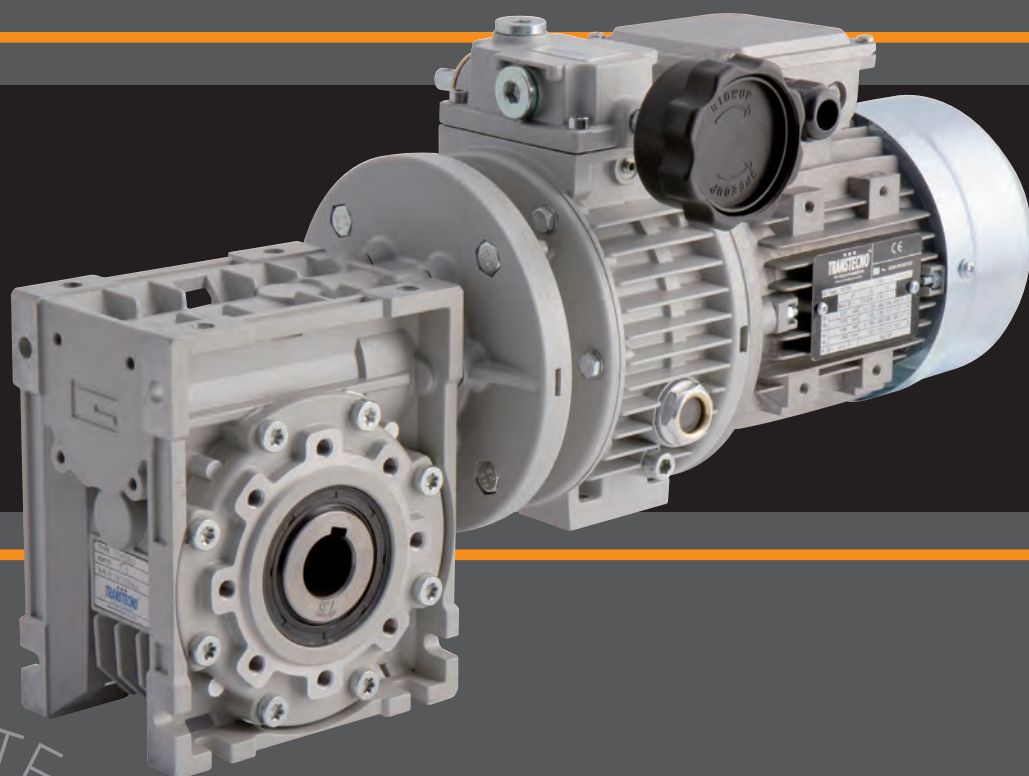
TRANSTECNO[®]
THE MODULAR GEARMOTOR

CMV

CMV



MOTOVARIARIDUTTORI A VITE SENZA FINE
MECHANICAL VARIATORS AND WORMGEARBOXES





Indice	Index	Pag. Page
Caratteristiche tecniche	<i>Technical features</i>	M2
Designazione	<i>Classification</i>	M2
Versioni	<i>Versions</i>	M2
Simbologia	<i>Symbols</i>	M2
Lubrificazione	<i>Lubrication</i>	M3
Posizione di montaggio	<i>Mounting position</i>	M3
Dati tecnici	<i>Technical data</i>	M4
Dimensioni	<i>Dimensions</i>	M8
Accessori	<i>Accessories</i>	M10
Optional	<i>Options</i>	M10

Questa sezione annulla e sostituisce ogni precedente edizione o revisione. Qualora questa sezione non Vi sia giunta in distribuzione controllata, l'aggiornamento dei dati ivi contenuto non è assicurato. **In tal caso la versione più aggiornata è disponibile sul nostro sito internet www.transtecno.com**

*This section replaces any previous edition and revision. If you obtained this catalogue other than through controlled distribution channels, the most up to date content is not guaranteed. **In this case the latest version is available on our web site www.transtecno.com***



Caratteristiche tecniche

Technical features

I motovariariduttori della serie CMV hanno le seguenti caratteristiche principali:

CMV mechanical variators and wormgearboxes main features:

- Precisione nella regolazione della velocità, contenuta in $\pm 0.5/1\%$.
- Campo di regolazione continuo 1:5.
- Le grandezze CM040, 050, 063, 075, 090 e 110 sono costruite con carcassa in alluminio, la grandezza 130 ha la carcassa in ghisa.
- Le grandezze VAM018, 037 e 075 sono costruite con carcassa in alluminio, le altre grandezze in ghisa
- Precision in speed regulation: $\pm 0.5/1\%$
- Speed range 1:5
- Die-cast aluminum housing on CM040, 050, 063, 075, 090 and 110. Cast iron housing on CM130.
- Die-cast aluminum housing on VAM018, 037 and 075. Cast iron housing on the other sizes.

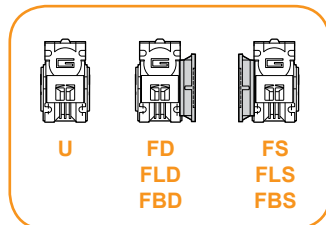
Designazione

Classification

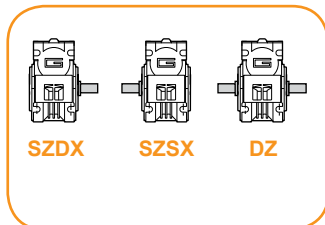
MOTOVARIARIDUTTORE / MECHANICAL VARIATOR AND GEARBOX								
CMV	040/037	FD	20	SZDX	BRSX	90	B3/1	VS
Tipo Type	Grandezza Size	Versione Version	Rapporto Ratio	Albero di uscita Output shaft	Braccio di reazione Torque arm	Angolo Angle	Pos. di montaggio Mounting position	Opzioni Options
CMV	040/018 — 130/40	U FD FS FBD FBS FLD FLS	vedi tabelle see tables	SZDX SZSX DZ	BRDX BRSX	0° 90° 180° 270°	Vedi pag. L3 See page L3	VS

MOTORE / MOTOR				
0.37kW	4p	3ph	50Hz	T1
Potenza Power	Poli Poles	Fasi Phases	Frequenza Frequency	Pos. morsettiera Terminal box pos.
Vedi tabelle See tables	2p 4p	1ph 3ph	50Hz 60Hz	Vedi pag. L3 See page L3

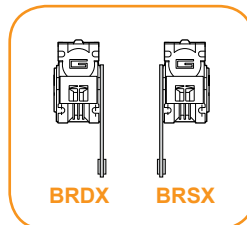
Versione Riduttore
Gearbox Version



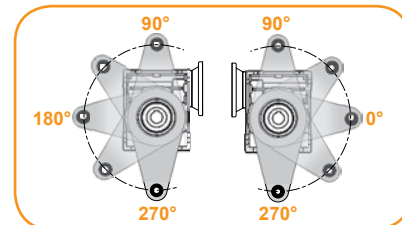
Albero di uscita
Output shaft



Braccio di reazione
Torque arm



Angolo
Angle



Simbologia

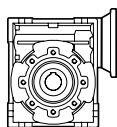
Symbols

n_1	[min ⁻¹]	Velocità in ingresso / Input speed	M_2	[Nm]	Coppia in uscita in funzione di P_1 / Output torque referred to P_1
n_2	[min ⁻¹]	Velocità in uscita / Output speed	sf		Fattore di servizio / Service factor
i		Rapporto di riduzione / Ratio	R_2	[N]	Carico radiale ammissibile in uscita / Permitted output radial load
P_1	[kW]	Potenza in entrata / Input power	A_2	[N]	Carico assiale ammissibile in uscita / Permitted output axial load

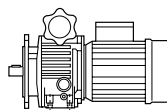


Lubrificazione

Lubrification



CM



VAM

	Quantità di olio (litri) / Oil quantity (litres)						
	B3	B8	B6	B7	V5	V6	
CM040			0.07				Lubrificati a vita Life lubricated
CM050			0.1				
CM063			0.25				
CM075			0.4				
CM090			0.7				
CM110			1.1				
CM130	4.5	3.3	3.5	3.5	4.5	3.3	

	Quantità di olio (litri) / Oil quantity (litres)					
	VAM					
	018	037	075	15	22	40
B5	0.13	0.15	0.33	0.80	1.20	1.20
V1	0.30	0.40	0.85	1.40	2.15	2.15
V3	0.13	0.15	0.33	0.80	1.20	1.20

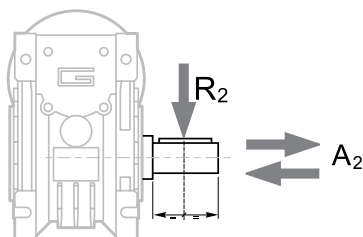
Posizioni di montaggio

Mounting positions



Carichi radiali

Radial loads

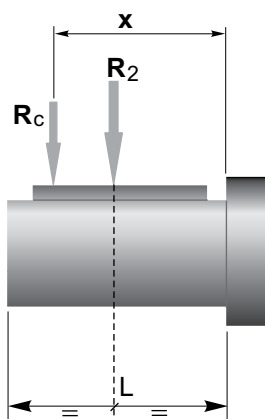


$$A_2 = R_2 \times 0.2$$

n_2 [min ⁻¹]	R_2 [N]						
	CM040	CM050	CM063	CM075	CM090	CM110	CM130
187	1264	1770	2445	2824	3161	5058	5732
140	1392	1949	2692	3110	3481	5570	6313
93	1596	2234	3085	3564	3990	6384	7235
70	1754	2456	3392	3918	4386	7018	7953
56	1890	2646	3654	4221	4725	7560	8567
47	2004	2805	3874	4475	5009	8014	9083
35	2210	3095	4273	4937	5526	8842	10021
28	2381	3334	4603	5318	5953	9524	10794
23	2542	3559	4915	5678	6356	10170	11526
18	2759	3862	5334	6162	6897	11036	12507
14	3000	4200	5800	6700	7500	12000	13600

Quando il carico radiale risultante non è applicato sulla mezza-
 ria dell'albero occorre calcolare quello effettivo con la seguente
 formula:

*When the resulting radial load is not applied on the centre line
 of the shaft it is necessary to calculate the effective load with the
 following formula:*



	CM						
	040	050	063	075	090	110	130
a	84	101	120	131	182	176	188
b	64	76	95	101	122	136	148
R_{2MAX}	3000	4200	5800	6700	7500	12000	13600

$$R_c = \frac{R_2 \cdot a}{(b + x)} \leq R_{2MAX}$$

$$R \leq R_c$$

a, b = valori riportati nella tabella
 a, b = values given in the table



Dati tecnici

Technical data

P ₁ [kW]	velocità massima max speed			velocità minima min speed			i	
	n ₂ [min ⁻¹]	M ₂ [Nm]	sf	n ₂ [min ⁻¹]	M ₂ [Nm]	sf		

P ₁ [kW]	velocità massima max speed			velocità minima min speed			i	
	n ₂ [min ⁻¹]	M ₂ [Nm]	sf	n ₂ [min ⁻¹]	M ₂ [Nm]	sf		

0.22

63C4 n _i =1400 [min ⁻¹]	176	8	5.6	34.0	15	5.2	5	CMV 040/018
	117	12	4.3	22.7	22	3.8	7.5	
	88.0	16	3.3	17.0	29	2.9	10	
	58.7	22	2.5	11.3	39	2.2	15	
	44.0	28	1.6	8.5	51	1.5	20	
	35.2	33	1.3	6.8	61	1.1	25	
	29.3	38	1.5	5.7	65	1.4	30	
	22.0	46	1.1	4.3	79	0.9	40	
	17.6	54	0.8	3.4	89	0.8	50	
	22.0	47	1.8	4.3	81	1.7	40	
17.6	56	1.4	3.4	91	1.4	50		
14.7	63	1.2	2.8	100	1.1	60		
11.0	73	0.9	2.1	116	0.8	80	CMV 063/018	
8.8	82	0.8	1.7	129	0.7	100		
14.7	66	2.1	2.8	105	2.0	60	CMV 063/018	
11.0	79	1.6	2.1	122	1.5	80		
8.8	89	1.4	1.7	133	1.2	100		

0.37

71B4 n _i =1400 [min ⁻¹]	66.7	36	2.7	13.3	65	2.5	15	CMV 050/037	
	50.0	45	1.8	10.0	82	1.7	20		
	40.0	54	1.4	8.0	96	1.3	25		
	33.3	61	1.6	6.7	104	1.6	30		
	25.0	74	1.1	5.0	127	1.1	40		
	20.0	89	0.9	4.0	144	0.9	50		
	16.7	99	0.8	3.3	158	0.7	60		
	25.0	78	2.1	5.0	130	2.0	40		CMV 063/037
	20.0	92	1.6	4.0	150	1.5	50		
	16.7	104	1.4	3.3	166	1.3	60		
12.5	125	1.0	2.5	192	1.0	80	CMV 075/037		
10.0	141	0.9	2.0	210	0.8	100			
16.7	110	2.1	3.3	176	2.0	60	CMV 075/037		
12.5	132	1.6	2.5	206	1.5	80			
10.0	150	1.3	2.0	228	1.2	100			
10.0	165	1.9	2.0	252	1.7	100	CMV 090/037		

0.37

63C2 n _i =2800 [min ⁻¹]	352	7	5.5	68.0	16	3.8	5	CMV 040/018	
	235	11	4.0	45.3	23	2.8	7.5		
	176	14	3.2	34.0	30	2.2	10		
	117	21	2.2	22.7	42	1.6	15		
	88.0	27	1.5	17.0	53	1.1	20		
	70.4	31	1.2	13.6	63	0.8	25		
	58.7	36	1.3	11.3	72	1.0	30		
	44.0	44	1.0	8.5	88	0.7	40		
	88.0	27	2.7	17.0	54	1.9	20		CMV 050/018
	70.4	32	2.2	13.6	64	1.4	25		
58.7	37	2.4	11.3	74	1.7	30			
44.0	46	1.7	8.5	90	1.2	40	CMV 063/018		
35.2	54	1.3	6.8	105	1.0	50			
29.3	61	1.1	5.7	116	0.8	60	CMV 063/018		
35.2	56	2.4	6.8	108	1.8	50			
29.3	64	2.0	5.7	121	1.5	60			
22.0	78	1.5	4.3	143	1.1	80			
17.6	88	1.3	3.4	160	0.9	100			
71B4 n _i =1400 [min ⁻¹]	200	13	3.6	40.0	24	3.3	5	CMV 040/037	
	133	19	2.7	26.7	35	2.4	7.5		
	100	25	2.1	20.0	45	1.9	10		
	66.7	35	1.6	13.3	62	1.4	15		
	50.0	44	1.0	10.0	80	0.9	20		
	40.0	53	0.8	8.0	96	0.7	25		
	33.3	59	0.9	6.7	103	0.9	30		

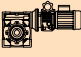
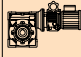
0.55

71B2 n _i =2800 [min ⁻¹]	400	10	3.6	80.0	25	2.4	5	CMV 040/037	
	267	14	2.6	53.3	37	1.8	7.5		
	200	19	2.1	40.0	47	1.4	10		
	133	27	1.5	26.7	66	1.0	15		
	100	35	1.0	20.0	84	0.7	20		
	400	65	6.6	80	26	4.4	5		CMV 050/037
	267	15	4.7	53.3	37	3.2	7.5		
	200	19	3.8	40.0	48	2.5	10		
133	28	2.6	26.7	68	1.7	15			
100	36	1.8	20.0	85	1.2	20			
80.0	43	1.4	16.0	101	0.9	25			
66.7	49	1.6	13.3	117	1.1	30			
50.0	62	1.1	10.0	142	0.8	40			
100	36	3.3	20.0	88	2.1	20	CMV 063/037		
80.0	44	2.6	16.0	105	1.6	25			
66.7	51	2.9	13.3	115	2.0	30			
50.0	64	2.0	10.0	144	1.4	40			
40.0	76	1.6	8.0	171	1.1	50			
33.3	87	1.3	6.7	191	0.9	60			
25.0	107	1.0	5.0	226	0.7	80			
50.0	66	3.2	10.0	156	2.2	40		CMV 075/037	
40.0	78	2.4	8.0	183	1.7	50			
33.3	91	2.0	6.7	205	1.4	60			
25.0	113	1.5	5.0	240	1.0	80			
20.0	130	1.2	4.0	270	0.8	100			
33.3	95	3.1	6.7	212	2.2	60	CMV 090/037		
25.0	118	2.3	5.0	254	1.6	80			
20.0	139	1.8	4.0	288	1.3	100			



Dati tecnici

Technical data

P ₁ [kW]	velocità massima max speed			velocità minima min speed			i		P ₁ [kW]	velocità massima max speed			velocità minima min speed			i																																																																																																																																																																																																																																																																																																																																																																																																																																																																																																																																																																									
	n ₂ [min ⁻¹]	M ₂ [Nm]	sf	n ₂ [min ⁻¹]	M ₂ [Nm]	sf				n ₂ [min ⁻¹]	M ₂ [Nm]	sf	n ₂ [min ⁻¹]	M ₂ [Nm]	sf																																																																																																																																																																																																																																																																																																																																																																																																																																																																																																																																																																										
0.75									1.1																																																																																																																																																																																																																																																																																																																																																																																																																																																																																																																																																																																
80B4 n ₁ =1400 [min ⁻¹]	200	26	3.4	40	49	3.0	5	CMV 050/075	80B2 n ₁ =2800 [min ⁻¹]	40.0	169	3.4	8.0	390	2.3	50	CMV 110/075																																																																																																																																																																																																																																																																																																																																																																																																																																																																																																																																																																								
	133	38	2.4	26.7	71	2.2	7.5			100	50	1.9	20.0	91	1.7	10		66.7	71	1.3	13.3	130	1.2	15	50.0	90	0.9	10.0	163	0.8	20	40.0	108	0.7	8.0	192	0.6	25	33.3	122	0.8	6.7	209	0.8	30	66.7	73	2.4	13.3	128	2.4	15	CMV 063/075	90S4 n ₁ =1400 [min ⁻¹]	200	40	4.0	40	74	3.8	5	CMV 063/15	50.0	94	1.6	10.0	161	1.6	20	40.0	113	1.2	8.0	189	1.2	25	33.3	126	1.5	6.7	216	1.4	30	25.0	156	1.0	5.0	259	1.0	40	20.0	183	0.8	4.0	300	0.8	50	40.0	110	2.1	8.0	198	1.9	25	CMV 075/075	50.0	144	1.8	10.0	248	1.7	20	CMV 075/15	33.3	122	2.5	6.7	227	2.3	30	25.0	154	1.7	5.0	274	1.6	40	20.0	192	1.3	4.0	318	1.2	50	16.7	220	1.1	3.3	353	1.0	60	12.5	264	0.8	2.5	413	0.7	80	25.0	173	2.7	5.0	293	2.6	40	CMV 090/075	16.7	367	1.9	3.3	616	1.6	60	CMV 110/15	20.0	204	2.0	4.0	342	1.9	50	16.7	234	1.6	3.3	382	1.5	60	12.5	288	1.2	2.5	451	1.1	80	10.0	330	1.0	2.0	504	0.9	100	12.5	302	2.0	2.5	490	1.8	80	CMV 110/075	12.5	454	1.3	2.5	734	1.2	80	10.0	354	1.6	2.0	552	1.4	100	1.1									1.5									80B2 n ₁ =2800 [min ⁻¹]	400	20	3.2	80	51	2.2	5	CMV 050/075	90L4 n ₁ =1400 [min ⁻¹]	200	53	3.0	40	98	2.8	5	CMV 063/15	267	29	2.3	53.3	75	1.6	7.5	200	38	1.9	40.0	96	1.3	10	133	55	1.3	26.7	135	0.9	15	400	20	5.8	80	53	3.7	5	CMV 063/075	133	78	3.3	26.7	146	3.1	7.5	CMV 075/15	267	29	4.2	53.3	76	2.8	7.5	200	38	3.4	40.0	98	2.2	10	133	56	2.4	26.7	139	1.6	15	100	72	1.6	20.0	175	1.1	20	80.0	88	1.3	16.0	210	0.8	25	66.7	102	1.4	13.3	230	1.0	30	CMV 090/15	100	104	4.0	20.0	192	3.6	10	50.0	128	1.0	10.0	288	0.7	40	100	74	2.7	20.0	180	1.7	20	80.0	90	2.0	16.0	216	1.3	25	66.7	104	2.3	13.3	252	1.5	30	50.0	132	1.6	10.0	312	1.1	40	40.0	158	1.2	8.0	366	0.8	50	CMV 075/075	50.0	197	2.2	10.0	346	2.2	20	33.3	182	1.0	6.7	410	0.7	60	66.7	107	3.8	13.3	252	2.5	30	50.0	137	2.6	10.0	317	1.8	40	40.0	165	1.9	8.0	366	1.4	50	33.3	190	1.5	6.7	425	1.1	60	25.0	236	1.1	5.0	509	0.8	80	CMV 090/075	16.7	468	0.8	3.3	763	0.8	60	20.0	277	0.9	4.0	576	0.6	100	40.0	243	2.9	8.0	432	2.8	25	CMV 110/15	40.0	270	3.2	6.7	482	3.1	30	33.3	270	3.2	6.7	482	3.1	30	25.0	350	2.4	5.0	624	2.1	40	20.0	426	1.8	4.0	732	1.6	50	16.7	490	1.4	3.3	821	1.2	60	12.5	586	1.0	2.5	979	0.9	80	10.0	710	0.8	2.0	1104	0.7	100																																																																				
	100	50	1.9	20.0	91	1.7	10			66.7	71	1.3	13.3	130	1.2	15		50.0	90	0.9	10.0	163	0.8	20	40.0	108	0.7	8.0	192	0.6	25	33.3	122	0.8	6.7	209	0.8	30	66.7	73	2.4	13.3	128	2.4	15	CMV 063/075	90S4 n ₁ =1400 [min ⁻¹]	200	40	4.0	40	74			3.8	5	CMV 063/15	50.0	94	1.6	10.0		161	1.6	20	40.0	113	1.2	8.0	189	1.2	25	33.3	126	1.5	6.7	216	1.4	30	25.0	156	1.0	5.0	259	1.0	40	20.0	183	0.8	4.0	300	0.8	50	40.0	110	2.1	8.0	198	1.9	25	CMV 075/075	50.0	144	1.8			10.0	248	1.7	20	CMV 075/15	33.3		122	2.5	6.7	227	2.3	30	25.0	154	1.7	5.0	274	1.6	40	20.0	192	1.3	4.0	318	1.2	50	16.7	220	1.1	3.3	353	1.0	60	12.5	264	0.8	2.5	413	0.7	80	25.0	173	2.7	5.0	293	2.6	40	CMV 090/075			16.7	367	1.9	3.3	616	1.6		60	CMV 110/15	20.0	204	2.0	4.0	342	1.9	50	16.7	234	1.6	3.3	382	1.5	60	12.5	288	1.2	2.5	451	1.1	80	10.0	330	1.0	2.0	504	0.9	100	12.5	302	2.0	2.5	490			1.8	80	CMV 110/075	12.5	454	1.3	2.5	734	1.2	80	10.0	354	1.6	2.0	552	1.4	100	1.1									1.5									80B2 n ₁ =2800 [min ⁻¹]	400	20	3.2			80	51	2.2	5	CMV 050/075	90L4 n ₁ =1400 [min ⁻¹]	200		53	3.0	40	98	2.8	5	CMV 063/15	267	29	2.3	53.3	75	1.6	7.5	200	38	1.9	40.0	96	1.3	10	133	55	1.3	26.7	135	0.9	15			400	20	5.8	80	53	3.7		5	CMV 063/075	133	78	3.3	26.7	146	3.1	7.5	CMV 075/15	267	29	4.2	53.3	76	2.8	7.5	200	38	3.4	40.0	98	2.2	10	133	56	2.4	26.7	139	1.6	15	100	72	1.6	20.0	175	1.1	20	80.0	88	1.3	16.0			210	0.8	25	66.7	102	1.4	13.3	230	1.0	30	CMV 090/15	100	104	4.0	20.0	192	3.6	10	50.0	128	1.0	10.0	288	0.7	40	100	74	2.7	20.0	180	1.7	20	80.0	90	2.0	16.0	216	1.3	25	66.7	104	2.3	13.3	252	1.5	30	50.0	132			1.6	10.0	312	1.1	40	40.0	158	1.2	8.0	366	0.8	50	CMV 075/075	50.0	197	2.2	10.0	346	2.2	20	33.3	182	1.0	6.7	410	0.7	60	66.7	107	3.8	13.3	252	2.5	30	50.0	137	2.6	10.0	317	1.8	40	40.0	165	1.9	8.0	366	1.4	50			33.3	190	1.5	6.7	425	1.1	60	25.0	236	1.1	5.0	509	0.8	80	CMV 090/075	16.7	468	0.8	3.3	763			0.8	60	20.0	277	0.9	4.0	576	0.6	100	40.0	243	2.9	8.0	432	2.8	25	CMV 110/15	40.0	270	3.2	6.7	482	3.1	30	33.3	270	3.2	6.7	482	3.1	30	25.0	350	2.4	5.0	624	2.1	40	20.0	426	1.8	4.0	732	1.6	50	16.7	490	1.4	3.3	821	1.2	60	12.5	586	1.0	2.5	979	0.9	80	10.0	710	0.8	2.0	1104	0.7	100																																																		
	66.7	71	1.3	13.3	130	1.2	15			50.0	90	0.9	10.0	163	0.8	20		40.0	108	0.7	8.0	192	0.6	25	33.3	122	0.8	6.7	209	0.8	30	66.7	73	2.4	13.3	128	2.4	15	CMV 063/075	90S4 n ₁ =1400 [min ⁻¹]	200	40	4.0	40	74			3.8	5	CMV 063/15	50.0	94			1.6	10.0		161	1.6	20	40.0		113	1.2	8.0	189	1.2	25	33.3	126	1.5	6.7	216	1.4	30	25.0	156	1.0	5.0	259	1.0	40	20.0	183	0.8	4.0	300	0.8	50	40.0	110	2.1	8.0	198	1.9	25	CMV 075/075	50.0	144	1.8			10.0	248			1.7	20	CMV 075/15	33.3		122		2.5	6.7	227	2.3	30	25.0	154	1.7	5.0	274	1.6	40	20.0	192	1.3	4.0	318	1.2	50	16.7	220	1.1	3.3	353	1.0	60	12.5	264	0.8	2.5	413	0.7	80	25.0	173	2.7	5.0	293	2.6	40	CMV 090/075					16.7	367	1.9	3.3	616		1.6		60	CMV 110/15	20.0	204	2.0	4.0	342	1.9	50	16.7	234	1.6	3.3	382	1.5	60	12.5	288	1.2	2.5	451	1.1	80	10.0	330	1.0	2.0	504	0.9	100	12.5	302	2.0	2.5	490	1.8	80			CMV 110/075	12.5	454	1.3	2.5	734	1.2	80	10.0	354	1.6	2.0	552	1.4	100	1.1									1.5									80B2 n ₁ =2800 [min ⁻¹]	400			20	3.2	80	51			2.2		5	CMV 050/075	90L4 n ₁ =1400 [min ⁻¹]	200	53	3.0		40	98	2.8	5	CMV 063/15	267	29	2.3	53.3	75	1.6	7.5	200	38	1.9	40.0	96	1.3	10	133	55			1.3	26.7	135	0.9	15	400		20			5.8	80	53	3.7	5	CMV 063/075		133	78	3.3	26.7	146	3.1	7.5	CMV 075/15	267	29	4.2	53.3	76	2.8	7.5	200	38	3.4	40.0	98	2.2	10	133	56	2.4	26.7	139	1.6	15	100	72	1.6			20.0	175	1.1	20	80.0	88	1.3	16.0	210	0.8			25	66.7	102	1.4	13.3	230	1.0	30	CMV 090/15	100	104	4.0	20.0	192	3.6	10	50.0	128	1.0	10.0	288	0.7	40	100	74	2.7	20.0	180	1.7	20	80.0	90	2.0	16.0	216	1.3			25	66.7	104	2.3	13.3	252	1.5	30	50.0	132	1.6	10.0			312	1.1	40	40.0	158	1.2	8.0	366	0.8	50	CMV 075/075	50.0	197	2.2	10.0	346	2.2	20	33.3	182	1.0	6.7	410	0.7	60	66.7	107	3.8	13.3	252	2.5	30	50.0	137			2.6	10.0	317	1.8	40	40.0	165	1.9	8.0	366	1.4	50	33.3	190			1.5	6.7	425	1.1			60	25.0	236	1.1	5.0	509	0.8	80	CMV 090/075	16.7	468	0.8	3.3	763	0.8	60			20.0	277	0.9	4.0	576	0.6	100	40.0	243	2.9	8.0	432	2.8	25	CMV 110/15	40.0	270	3.2	6.7	482	3.1	30	33.3	270	3.2	6.7	482	3.1	30	25.0	350	2.4	5.0	624	2.1	40	20.0	426	1.8	4.0	732	1.6	50	16.7	490	1.4	3.3	821	1.2	60	12.5	586	1.0	2.5	979	0.9	80	10.0	710	0.8	2.0	1104	0.7	100																																		
	50.0	90	0.9	10.0	163	0.8	20			40.0	108	0.7	8.0	192	0.6	25		33.3	122	0.8	6.7	209	0.8	30	66.7	73	2.4	13.3	128	2.4	15	CMV 063/075	90S4 n ₁ =1400 [min ⁻¹]	200	40	4.0	40	74			3.8	5	CMV 063/15	50.0	94			1.6	10.0		161	1.6			20	40.0		113	1.2	8.0	189		1.2	25	33.3	126	1.5	6.7	216	1.4	30	25.0	156	1.0	5.0	259	1.0	40	20.0	183	0.8	4.0	300	0.8	50	40.0	110	2.1	8.0	198	1.9	25	CMV 075/075	50.0	144	1.8			10.0	248			1.7	20			CMV 075/15	33.3		122		2.5		6.7	227	2.3	30	25.0	154	1.7	5.0	274	1.6	40	20.0	192	1.3	4.0	318	1.2	50	16.7	220	1.1	3.3	353	1.0	60	12.5	264	0.8	2.5	413	0.7	80	25.0	173	2.7	5.0	293	2.6	40	CMV 090/075							16.7	367	1.9	3.3		616		1.6		60	CMV 110/15	20.0	204	2.0	4.0	342	1.9	50	16.7	234	1.6	3.3	382	1.5	60	12.5	288	1.2	2.5	451	1.1	80	10.0	330	1.0	2.0	504	0.9	100	12.5	302	2.0	2.5	490	1.8	80			CMV 110/075	12.5	454	1.3	2.5	734	1.2	80	10.0	354	1.6	2.0	552	1.4	100	1.1									1.5											80B2 n ₁ =2800 [min ⁻¹]	400	20	3.2			80		51			2.2	5	CMV 050/075		90L4 n ₁ =1400 [min ⁻¹]	200	53	3.0		40	98	2.8	5	CMV 063/15	267	29	2.3	53.3	75	1.6	7.5	200	38	1.9	40.0			96	1.3	10	133	55	1.3		26.7			135	0.9	15	400	20				5.8	80	53	3.7	5	CMV 063/075		133	78	3.3	26.7	146	3.1	7.5	CMV 075/15	267	29	4.2	53.3	76	2.8	7.5	200	38	3.4	40.0	98	2.2	10	133	56			2.4	26.7	139	1.6	15	100	72	1.6	20.0	175			1.1	20	80.0	88	1.3	16.0	210	0.8			25	66.7	102	1.4	13.3	230	1.0	30	CMV 090/15	100	104	4.0	20.0	192	3.6	10	50.0	128	1.0	10.0	288	0.7	40	100	74	2.7			20.0	180	1.7	20	80.0	90	2.0	16.0	216	1.3	25	66.7			104	2.3	13.3	252	1.5	30	50.0	132	1.6	10.0			312	1.1	40	40.0	158	1.2	8.0	366	0.8	50	CMV 075/075	50.0	197	2.2	10.0	346	2.2	20	33.3	182	1.0	6.7			410	0.7	60	66.7	107	3.8	13.3	252	2.5	30	50.0	137	2.6	10.0			317	1.8	40	40.0			165	1.9	8.0	366	1.4	50	33.3	190			1.5	6.7	425	1.1	60	25.0			236	1.1	5.0	509	0.8	80	CMV 090/075	16.7	468	0.8	3.3	763	0.8	60			20.0	277	0.9	4.0	576	0.6	100	40.0	243	2.9	8.0	432	2.8	25	CMV 110/15	40.0	270	3.2	6.7	482	3.1	30	33.3	270	3.2	6.7	482	3.1	30	25.0	350	2.4	5.0	624	2.1	40	20.0	426	1.8	4.0	732	1.6	50	16.7	490	1.4	3.3	821	1.2	60	12.5	586	1.0	2.5	979	0.9	80	10.0	710	0.8	2.0	1104	0.7	100																		
	40.0	108	0.7	8.0	192	0.6	25			33.3	122	0.8	6.7	209	0.8	30		66.7	73	2.4	13.3	128	2.4	15	CMV 063/075	90S4 n ₁ =1400 [min ⁻¹]	200	40	4.0	40	74			3.8	5	CMV 063/15	50.0	94			1.6	10.0		161	1.6			20	40.0		113	1.2			8.0	189		1.2	25	33.3	126		1.5	6.7	216	1.4	30	25.0	156	1.0	5.0	259	1.0	40	20.0	183	0.8	4.0	300	0.8	50	40.0	110	2.1	8.0	198	1.9	25	CMV 075/075	50.0	144	1.8			10.0	248			1.7	20			CMV 075/15	33.3				122		2.5		6.7		227	2.3	30	25.0	154	1.7	5.0	274	1.6	40	20.0	192	1.3	4.0	318	1.2	50	16.7	220	1.1	3.3	353	1.0	60	12.5	264	0.8	2.5	413	0.7	80	25.0	173	2.7	5.0	293	2.6	40	CMV 090/075									16.7	367	1.9		3.3		616		1.6		60	CMV 110/15	20.0	204	2.0	4.0	342	1.9	50	16.7	234	1.6	3.3	382	1.5	60	12.5	288	1.2	2.5	451	1.1	80	10.0	330	1.0	2.0	504	0.9	100	12.5	302	2.0	2.5	490	1.8	80			CMV 110/075	12.5	454	1.3	2.5	734	1.2	80	10.0	354	1.6	2.0	552	1.4	100	1.1									1.5										80B2 n ₁ =2800 [min ⁻¹]	400	20			3.2		80			51	2.2				5	CMV 050/075	90L4 n ₁ =1400 [min ⁻¹]		200	53	3.0	40		98	2.8	5	CMV 063/15	267	29	2.3	53.3	75	1.6	7.5			200	38	1.9	40.0	96	1.3		10			133	55	1.3	26.7	135				0.9	15	400	20	5.8				80	53	3.7	5	CMV 063/075	133		78	3.3	26.7	146	3.1	7.5	CMV 075/15	267	29	4.2	53.3	76	2.8	7.5	200	38			3.4	40.0	98	2.2	10	133	56	2.4	26.7	139			1.6	15	100	72	1.6	20.0	175	1.1			20	80.0	88	1.3	16.0	210	0.8	25			66.7	102	1.4	13.3	230	1.0	30	CMV 090/15	100	104	4.0	20.0	192	3.6	10	50.0			128	1.0	10.0	288	0.7	40	100	74	2.7	20.0	180	1.7			20	80.0	90	2.0	16.0	216	1.3	25	66.7	104			2.3	13.3	252	1.5	30	50.0	132	1.6	10.0	312			1.1	40	40.0	158	1.2	8.0	366	0.8	50	CMV 075/075			50.0	197	2.2	10.0	346	2.2	20	33.3	182	1.0	6.7	410	0.7	60			66.7	107	3.8	13.3			252	2.5	30	50.0	137	2.6	10.0	317			1.8	40	40.0	165	1.9	8.0			366	1.4	50	33.3	190	1.5			6.7	425	1.1	60	25.0	236			1.1	5.0	509	0.8	80	CMV 090/075	16.7	468	0.8	3.3	763	0.8	60	20.0			277	0.9	4.0	576	0.6	100	40.0	243	2.9	8.0	432	2.8	25	CMV 110/15	40.0	270	3.2	6.7	482	3.1	30	33.3	270	3.2	6.7	482	3.1	30	25.0	350	2.4	5.0	624	2.1	40	20.0	426	1.8	4.0	732	1.6	50	16.7	490	1.4	3.3	821	1.2	60	12.5	586	1.0	2.5	979	0.9	80	10.0	710	0.8	2.0	1104	0.7	100			
	33.3	122	0.8	6.7	209	0.8	30			66.7	73	2.4	13.3	128	2.4	15		CMV 063/075	90S4 n ₁ =1400 [min ⁻¹]	200	40	4.0	40	74			3.8	5	CMV 063/15	50.0	94			1.6	10.0		161	1.6			20	40.0		113	1.2			8.0	189		1.2	25			33.3	126		1.5	6.7	216	1.4		30	25.0	156	1.0	5.0	259	1.0	40	20.0	183	0.8	4.0	300	0.8	50	40.0	110	2.1	8.0	198	1.9	25	CMV 075/075	50.0	144	1.8			10.0	248			1.7	20			CMV 075/15	33.3				122				2.5		6.7		227		2.3	30	25.0	154	1.7	5.0	274	1.6	40	20.0	192	1.3	4.0	318	1.2	50	16.7	220	1.1	3.3	353	1.0	60	12.5	264	0.8	2.5	413	0.7	80	25.0	173	2.7	5.0	293	2.6	40	CMV 090/075											16.7	367		1.9		3.3		616		1.6		60	CMV 110/15	20.0	204	2.0	4.0	342	1.9	50	16.7	234	1.6	3.3	382	1.5	60	12.5	288	1.2	2.5	451	1.1	80	10.0	330	1.0	2.0	504	0.9	100	12.5	302	2.0	2.5	490	1.8	80			CMV 110/075	12.5	454	1.3	2.5	734	1.2	80	10.0	354	1.6	2.0	552	1.4	100	1.1									1.5									80B2 n ₁ =2800 [min ⁻¹]	400			20		3.2			80	51				2.2				5	CMV 050/075	90L4 n ₁ =1400 [min ⁻¹]	200		53	3.0	40		98	2.8	5	CMV 063/15	267	29	2.3			53.3	75	1.6	7.5	200	38		1.9			40.0	96	1.3	10	133				55	1.3	26.7	135	0.9				15	400	20	5.8				80	53	3.7	5	CMV 063/075	133		78	3.3	26.7	146	3.1	7.5	CMV 075/15	267	29			4.2	53.3	76	2.8	7.5	200	38	3.4	40.0	98			2.2	10	133	56	2.4	26.7	139	1.6			15	100	72	1.6	20.0	175	1.1	20			80.0	88	1.3	16.0	210	0.8	25			66.7	102	1.4	13.3	230	1.0	30			CMV 090/15	100	104	4.0	20.0	192	3.6	10	50.0	128	1.0	10.0			288	0.7	40	100	74	2.7	20.0	180	1.7	20			80.0	90	2.0	16.0	216	1.3	25	66.7	104	2.3			13.3	252	1.5	30	50.0	132	1.6	10.0	312					1.1	40	40.0	158	1.2	8.0	366	0.8	50	CMV 075/075	50.0	197	2.2			10.0	346	2.2	20			33.3	182	1.0	6.7	410	0.7	60	66.7			107	3.8	13.3	252	2.5	30			50.0	137	2.6	10.0	317	1.8			40	40.0	165	1.9	8.0	366			1.4	50	33.3	190	1.5			6.7	425	1.1	60	25.0	236	1.1			5.0	509	0.8	80	CMV 090/075	16.7	468	0.8	3.3	763	0.8	60	20.0			277	0.9	4.0	576	0.6	100	40.0	243	2.9	8.0	432	2.8	25	CMV 110/15	40.0	270	3.2	6.7	482	3.1	30	33.3	270	3.2	6.7	482	3.1	30	25.0	350	2.4	5.0	624	2.1	40	20.0	426	1.8	4.0	732	1.6	50	16.7	490	1.4	3.3	821	1.2	60	12.5	586
	66.7	73	2.4	13.3	128	2.4	15			CMV 063/075	90S4 n ₁ =1400 [min ⁻¹]	200	40	4.0	40	74				3.8	5	CMV 063/15																																																																																																																																																																																																																																																																																																																																																																																																																																																																																																																																																																			
	50.0	94	1.6	10.0	161	1.6	20					40.0	113	1.2	8.0	189				1.2	25		33.3	126			1.5	6.7		216	1.4			30	25.0		156	1.0			5.0	259		1.0	40	20.0	183	0.8	4.0		300	0.8	50	40.0	110	2.1	8.0	198	1.9	25	CMV 075/075	50.0	144	1.8	10.0	248	1.7	20	CMV 075/15	33.3	122	2.5	6.7	227	2.3	30	25.0	154	1.7	5.0	274	1.6	40	20.0			192	1.3			4.0	318			1.2	50				16.7	220	1.1		3.3	353	1.0		60		12.5	264	0.8	2.5	413	0.7	80	25.0	173	2.7	5.0	293	2.6	40	CMV 090/075	16.7	367	1.9	3.3	616	1.6	60	CMV 110/15	20.0	204	2.0	4.0	342	1.9	50	16.7	234	1.6	3.3	382	1.5	60	12.5	288	1.2	2.5					451	1.1	80	10.0					330	1.0	2.0	504	0.9		100		12.5		302		2.0	2.5	490	1.8	80	CMV 110/075	12.5	454	1.3	2.5	734	1.2	80	10.0	354	1.6	2.0	552	1.4	100	1.1									1.5									80B2 n ₁ =2800 [min ⁻¹]	400	20	3.2	80	51	2.2	5	CMV 050/075	90L4 n ₁ =1400 [min ⁻¹]	200	53	3.0	40	98	2.8	5	CMV 063/15	267	29		2.3	53.3	75		1.6		7.5						200			38		1.9			40.0	96				1.3				10			133		55	1.3	26.7		135	0.9	15		400	20	5.8	80	53	3.7	5	CMV 063/075	133	78	3.3	26.7	146	3.1	7.5	CMV 075/15	267	29	4.2	53.3		76		2.8	7.5	200	38	3.4				40.0	98	2.2	10				133	56	2.4	26.7				139	1.6	15	100	72	1.6		20.0	175	1.1	20	80.0	88	1.3	16.0	210	0.8	25	66.7	102	1.4	13.3	230	1.0	30	CMV 090/15	100	104	4.0	20.0	192			3.6	10	50.0	128	1.0	10.0	288	0.7			40	100	74	2.7	20.0	180	1.7			20	80.0	90	2.0	16.0	216	1.3	25	66.7			104	2.3	13.3	252	1.5	30	50.0	132	1.6	10.0	312	1.1	40	40.0	158	1.2	8.0	366	0.8	50	CMV 075/075	50.0			197	2.2	10.0	346	2.2	20	33.3	182	1.0	6.7			410	0.7	60	66.7	107	3.8	13.3	252	2.5		30	50.0		137	2.6	10.0	317	1.8	40	40.0	165	1.9			8.0	366	1.4	50	33.3	190	1.5	6.7	425	1.1	60	25.0	236	1.1	5.0	509	0.8	80			CMV 090/075	16.7	468	0.8	3.3	763	0.8	60	20.0	277	0.9	4.0	576	0.6			100	40.0	243	2.9	8.0	432			2.8	25	CMV 110/15	40.0	270			3.2	6.7	482	3.1	30	33.3	270			3.2	6.7	482	3.1			30	25.0	350	2.4	5.0	624	2.1			40	20.0	426	1.8	4.0	732	1.6	50	16.7	490	1.4	3.3	821			1.2	60	12.5	586	1.0	2.5	979	0.9	80	10.0	710	0.8	2.0	1104	0.7	100																				
	40.0	113	1.2	8.0	189	1.2	25					33.3	126	1.5	6.7	216				1.4	30		25.0	156			1.0	5.0		259	1.0			40	20.0		183	0.8	4.0	300	0.8	50		40.0	110	2.1	8.0	198	1.9	25	CMV 075/075	50.0	144	1.8	10.0	248	1.7	20	CMV 075/15	33.3			122	2.5	6.7	227	2.3	30		25.0	154	1.7	5.0	274	1.6	40	20.0	192	1.3	4.0	318	1.2	50	16.7			220	1.1			3.3	353			1.0	60	12.5	264		0.8	2.5	413		0.7	80	25.0		173	2.7	5.0	293	2.6	40	CMV 090/075	16.7	367	1.9	3.3	616	1.6	60	CMV 110/15	20.0			204	2.0	4.0	342	1.9	50		16.7	234	1.6	3.3	382	1.5	60	12.5	288	1.2	2.5	451	1.1	80	10.0	330	1.0	2.0				504	0.9	100	12.5	302	2.0				2.5	490	1.8	80	CMV 110/075	12.5	454		1.3		2.5		734	1.2	80	10.0	354			1.6	2.0	552	1.4	100	1.1									1.5									80B2 n ₁ =2800 [min ⁻¹]	400	20	3.2	80	51	2.2	5		CMV 050/075	90L4 n ₁ =1400 [min ⁻¹]	200	53	3.0	40	98			2.8	5	CMV 063/15	267	29	2.3	53.3		75	1.6		7.5	200	38		1.9		40.0						96			1.3		10			133	55				1.3				26.7			135		0.9	15	400		20	5.8	80		53	3.7	5	CMV 063/075	133	78	3.3			26.7	146	3.1	7.5	CMV 075/15	267		29	4.2	53.3	76	2.8	7.5	200	38	3.4	40.0	98	2.2		10		133	56	2.4	26.7				139	1.6	15	100				72	1.6	20.0	175	1.1	20		80.0	88	1.3	16.0	210	0.8	25	66.7	102	1.4	13.3	230	1.0	30	CMV 090/15	100	104	4.0			20.0	192	3.6	10	50.0	128	1.0	10.0	288	0.7	40	100	74	2.7			20.0	180	1.7	20	80.0	90	2.0			16.0	216	1.3	25	66.7	104	2.3	13.3	252			1.5	30	50.0	132	1.6	10.0	312	1.1	40	40.0	158	1.2	8.0	366	0.8	50	CMV 075/075	50.0	197	2.2			10.0	346	2.2	20	33.3	182	1.0	6.7	410	0.7	60	66.7			107	3.8	13.3	252	2.5	30	50.0	137	2.6		10.0	317		1.8	40	40.0	165	1.9	8.0	366	1.4	50			33.3	190	1.5	6.7	425	1.1	60	25.0	236	1.1	5.0	509	0.8	80	CMV 090/075	16.7	468	0.8	3.3	763			0.8	60	20.0	277	0.9	4.0	576	0.6	100	40.0	243	2.9			8.0	432	2.8	25	CMV 110/15	40.0	270	3.2	6.7	482			3.1			30	33.3	270	3.2	6.7	482	3.1			30	25.0	350	2.4			5.0	624	2.1	40	20.0	426	1.8			4.0	732	1.6	50	16.7	490	1.4	3.3	821	1.2	60	12.5	586			1.0	2.5	979	0.9	80	10.0	710	0.8	2.0	1104	0.7	100																								
	33.3	126	1.5	6.7	216	1.4	30					25.0	156	1.0	5.0	259				1.0	40		20.0	183			0.8	4.0		300	0.8	50	40.0	110	2.1		8.0	198	1.9	25	CMV 075/075	50.0	144	1.8	10.0	248	1.7	20	CMV 075/15	33.3			122	2.5	6.7	227	2.3	30		25.0			154	1.7	5.0	274	1.6	40		20.0	192	1.3	4.0	318	1.2	50	16.7	220	1.1	3.3	353	1.0	60	12.5			264	0.8			2.5	413	0.7	80	25.0	173	2.7	5.0		293	2.6	40		CMV 090/075	16.7	367	1.9	3.3	616	1.6	60	CMV 110/15	20.0			204	2.0	4.0	342	1.9	50		16.7			234	1.6	3.3	382	1.5	60		12.5	288	1.2	2.5	451	1.1	80	10.0	330	1.0	2.0	504	0.9	100	12.5	302	2.0	2.5			490	1.8	80	CMV 110/075	12.5	454	1.3	2.5			734	1.2	80	10.0			354	1.6	2.0		552		1.4	100	1.1									1.5									80B2 n ₁ =2800 [min ⁻¹]	400	20	3.2	80	51	2.2	5	CMV 050/075	90L4 n ₁ =1400 [min ⁻¹]		200	53	3.0	40	98	2.8	5				CMV 063/15	267	29	2.3	53.3			75	1.6		7.5	200	38	1.9		40.0	96		1.3	10	133		55		1.3						26.7			135		0.9			15	400				20				5.8			80		53	3.7	5		CMV 063/075	133	78		3.3	26.7	146			3.1	7.5			CMV 075/15	267	29	4.2		53.3		76	2.8	7.5	200	38	3.4	40.0	98	2.2	10	133	56	2.4	26.7	139	1.6	15	100	72			1.6	20.0	175	1.1	20				80.0	88	1.3	16.0	210	0.8		25	66.7	102	1.4	13.3	230	1.0	30	CMV 090/15	100	104	4.0	20.0	192			3.6	10			50.0	128	1.0	10.0	288	0.7	40	100	74	2.7	20.0	180	1.7	20	80.0	90	2.0	16.0	216	1.3	25	66.7	104			2.3	13.3	252	1.5	30	50.0	132	1.6	10.0			312	1.1	40	40.0	158	1.2	8.0	366	0.8	50	CMV 075/075	50.0	197	2.2	10.0	346			2.2	20			33.3	182	1.0	6.7	410	0.7	60	66.7	107	3.8	13.3	252	2.5	30	50.0	137	2.6	10.0	317	1.8	40	40.0	165		1.9	8.0		366	1.4	50	33.3	190	1.5	6.7	425	1.1			60	25.0	236	1.1	5.0	509	0.8	80	CMV 090/075	16.7	468	0.8	3.3	763			0.8	60	20.0	277			0.9	4.0	576	0.6	100	40.0	243	2.9	8.0	432	2.8	25	CMV 110/15	40.0	270	3.2	6.7	482			3.1	30	33.3	270			3.2			6.7	482	3.1	30	25.0	350	2.4	5.0	624	2.1	40	20.0	426			1.8	4.0	732	1.6	50	16.7	490			1.4	3.3	821	1.2	60	12.5	586	1.0	2.5	979	0.9	80	10.0			710	0.8	2.0	1104	0.7	100																														
	25.0	156	1.0	5.0	259	1.0	40					20.0	183	0.8	4.0	300				0.8	50		40.0	110	2.1	8.0	198	1.9		25	CMV 075/075	50.0	144	1.8	10.0	248	1.7	20	CMV 075/15	33.3			122	2.5	6.7	227	2.3	30		25.0			154	1.7	5.0	274	1.6	40		20.0			192	1.3	4.0	318	1.2	50		16.7	220	1.1	3.3	353	1.0	60	12.5	264	0.8	2.5	413	0.7	80	25.0			173	2.7	5.0	293	2.6	40	CMV 090/075	16.7	367	1.9	3.3	616		1.6	60	CMV 110/15	20.0			204	2.0	4.0	342	1.9	50		16.7			234	1.6	3.3	382	1.5	60		12.5			288	1.2	2.5	451	1.1	80		10.0	330	1.0	2.0	504	0.9	100	12.5	302	2.0	2.5	490	1.8	80	CMV 110/075	12.5	454	1.3		2.5	734	1.2	80			10.0	354	1.6	2.0		552	1.4	100	1.1									1.5									80B2 n ₁ =2800 [min ⁻¹]	400	20	3.2	80	51	2.2	5	CMV 050/075	90L4 n ₁ =1400 [min ⁻¹]	200		53	3.0	40	98	2.8	5	CMV 063/15				267	29	2.3	53.3	75	1.6	7.5					200	38	1.9	40.0			96	1.3		10	133	55	1.3		26.7	135		0.9	15	400		20		5.8						80			53		3.7			5	CMV 063/075				133				78			3.3		26.7	146	3.1				7.5		CMV 075/15	267	29			4.2	53.3				76	2.8	7.5		200		38	3.4	40.0	98	2.2	10	133	56	2.4	26.7	139	1.6	15	100	72	1.6	20.0	175	1.1	20	80.0	88	1.3	16.0	210	0.8			25	66.7	102	1.4	13.3	230	1.0		30	CMV 090/15	100	104	4.0	20.0	192	3.6			10	50.0	128	1.0			10.0	288			0.7	40	100	74	2.7	20.0	180	1.7	20	80.0	90	2.0	16.0	216	1.3	25	66.7	104	2.3	13.3	252	1.5	30	50.0	132	1.6	10.0	312	1.1	40	40.0	158	1.2	8.0			366	0.8	50	CMV 075/075	50.0	197	2.2	10.0	346	2.2			20	33.3	182	1.0			6.7	410			0.7	60	66.7	107	3.8	13.3	252	2.5	30	50.0	137	2.6	10.0	317	1.8	40	40.0	165	1.9	8.0	366	1.4	50	33.3	190	1.5	6.7	425	1.1	60	25.0	236	1.1	5.0	509	0.8			80	CMV 090/075	16.7	468	0.8	3.3	763	0.8			60	20.0	277	0.9			4.0	576	0.6	100			40.0	243	2.9	8.0	432	2.8	25	CMV 110/15	40.0	270	3.2	6.7			482	3.1	30	33.3			270	3.2	6.7	482			3.1	30	25.0	350	2.4	5.0	624	2.1	40	20.0	426	1.8	4.0	732	1.6	50			16.7	490	1.4	3.3	821	1.2	60	12.5	586	1.0	2.5	979	0.9	80	10.0	710	0.8	2.0	1104	0.7	100																																							
	20.0	183	0.8	4.0	300	0.8	50					40.0	110	2.1	8.0	198		1.9	25	CMV 075/075	50.0		144	1.8	10.0	248	1.7	20	CMV 075/15	33.3			122	2.5	6.7	227	2.3	30		25.0			154	1.7	5.0	274	1.6	40		20.0			192	1.3	4.0	318	1.2	50		16.7			220	1.1	3.3	353	1.0	60		12.5	264	0.8	2.5	413	0.7	80	25.0	173	2.7	5.0	293	2.6	40	CMV 090/075	16.7	367	1.9	3.3	616	1.6	60	CMV 110/15			20.0	204	2.0	4.0	342	1.9	50		16.7			234	1.6	3.3	382	1.5	60		12.5			288	1.2	2.5	451	1.1	80		10.0			330	1.0	2.0	504	0.9	100		12.5	302	2.0	2.5	490	1.8	80	CMV 110/075	12.5	454	1.3	2.5	734	1.2			80	10.0	354	1.6	2.0	552	1.4	100	1.1									1.5									80B2 n ₁ =2800 [min ⁻¹]	400	20	3.2	80	51	2.2	5	CMV 050/075		90L4 n ₁ =1400 [min ⁻¹]	200	53	3.0	40	98	2.8			5		CMV 063/15	267	29	2.3	53.3	75					1.6	7.5	200	38	1.9	40.0	96					1.3	10	133	55			1.3	26.7		135	0.9	15	400		20	5.8		80	53	3.7		5		CMV 063/075						133			78		3.3			26.7									146			3.1		7.5	CMV 075/15	267				29			4.2	53.3			76	2.8				7.5	200	38		3.4		40.0	98	2.2	10	133	56	2.4	26.7	139	1.6	15	100	72	1.6	20.0	175	1.1	20	80.0	88	1.3	16.0	210	0.8	25	66.7	102	1.4	13.3	230	1.0	30	CMV 090/15	100	104	4.0	20.0			192	3.6	10	50.0	128			1.0	10.0	288	0.7			40	100			74	2.7	20.0	180	1.7	20	80.0	90	2.0	16.0	216	1.3	25	66.7	104	2.3	13.3	252	1.5	30	50.0	132	1.6	10.0	312	1.1	40	40.0	158	1.2	8.0	366	0.8	50	CMV 075/075	50.0	197	2.2	10.0			346	2.2	20	33.3	182			1.0	6.7	410	0.7			60	66.7			107	3.8	13.3	252	2.5	30	50.0	137	2.6	10.0	317	1.8	40	40.0	165	1.9	8.0	366	1.4	50	33.3	190	1.5	6.7	425	1.1	60	25.0	236	1.1	5.0	509	0.8	80	CMV 090/075	16.7	468	0.8	3.3			763	0.8	60	20.0	277			0.9	4.0	576	0.6			100	40.0	243	2.9			8.0	432	2.8	25	CMV 110/15	40.0	270			3.2	6.7	482			3.1	30	33.3	270			3.2	6.7	482	3.1			30	25.0	350	2.4	5.0	624	2.1	40	20.0	426	1.8	4.0	732	1.6	50	16.7	490	1.4	3.3	821	1.2	60	12.5	586	1.0	2.5	979	0.9	80	10.0	710	0.8	2.0	1104	0.7	100																																										
	40.0	110	2.1	8.0	198	1.9	25			CMV 075/075	50.0	144	1.8	10.0	248	1.7		20	CMV 075/15																																																																																																																																																																																																																																																																																																																																																																																																																																																																																																																																																																						
33.3	122	2.5	6.7	227	2.3	30	25.0	154	1.7			5.0	274	1.6	40	20.0	192	1.3				4.0	318	1.2	50	16.7	220	1.1		3.3			353	1.0	60	12.5	264	0.8		2.5			413	0.7	80	25.0	173	2.7		5.0			293	2.6	40	CMV 090/075	16.7	367		1.9	3.3	616	1.6	60	CMV 110/15	20.0	204	2.0	4.0	342	1.9	50	16.7	234	1.6	3.3	382	1.5	60	12.5	288	1.2	2.5			451	1.1	80	10.0	330	1.0				2.0	504	0.9	100	12.5	302	2.0		2.5			490	1.8	80	CMV 110/075	12.5	454		1.3			2.5	734	1.2	80	10.0	354		1.6	2.0	552	1.4	100	1.1									1.5									80B2 n ₁ =2800 [min ⁻¹]	400	20	3.2	80	51	2.2	5	CMV 050/075	90L4 n ₁ =1400 [min ⁻¹]	200	53	3.0	40	98	2.8	5	CMV 063/15	267	29	2.3	53.3	75	1.6	7.5	200	38	1.9	40.0		96	1.3	10	133	55	1.3	26.7				135	0.9	15	400	20	5.8			80			53	3.7	5	CMV 063/075	133					78	3.3	26.7	146	3.1	7.5	CMV 075/15					267	29	4.2	53.3			76	2.8		7.5	200	38	3.4		40.0	98		2.2	10	133		56											2.4		26.7			139									1.6			15		100		72				1.6			20.0	175			1.1	20	80.0	88		1.3	16.0	210		0.8	25	66.7	102	1.4	13.3	230	1.0	30	CMV 090/15	100	104	4.0	20.0	192	3.6	10	50.0	128	1.0	10.0	288	0.7	40	100	74	2.7	20.0	180	1.7	20	80.0	90	2.0			16.0	216	1.3			25	66.7	104	2.3	13.3			252	1.5	30	50.0			132	1.6	10.0	312	1.1	40	40.0	158	1.2	8.0	366	0.8	50	CMV 075/075	50.0	197	2.2	10.0	346	2.2	20	33.3	182	1.0	6.7	410	0.7	60	66.7	107	3.8	13.3	252	2.5	30	50.0	137	2.6			10.0	317	1.8			40	40.0	165	1.9	8.0			366	1.4	50	33.3			190	1.5	6.7	425	1.1	60	25.0	236	1.1	5.0	509	0.8	80	CMV 090/075	16.7	468	0.8	3.3	763	0.8	60	20.0	277	0.9	4.0	576	0.6	100	40.0	243	2.9	8.0	432	2.8	25	CMV 110/15	40.0	270			3.2	6.7	482			3.1	30	33.3	270	3.2			6.7	482	3.1	30			25.0	350	2.4	5.0	624	2.1	40	20.0	426	1.8			4.0			732	1.6	50			16.7	490	1.4	3.3			821	1.2	60	12.5	586	1.0	2.5	979	0.9	80	10.0	710	0.8	2.0	1104	0.7	100																																																																			
25.0	154	1.7	5.0	274	1.6	40	20.0	192	1.3			4.0	318	1.2	50	16.7	220	1.1				3.3	353	1.0	60	12.5	264	0.8		2.5			413	0.7	80	25.0	173	2.7		5.0			293	2.6	40	CMV 090/075	16.7	367		1.9	3.3	616	1.6	60	CMV 110/15			20.0	204	2.0	4.0	342	1.9	50		16.7	234	1.6	3.3	382	1.5	60	12.5	288	1.2	2.5	451	1.1	80	10.0	330	1.0	2.0			504	0.9	100	12.5	302	2.0				2.5	490	1.8	80	CMV 110/075	12.5	454		1.3			2.5	734	1.2			80		10.0	354	1.6	2.0	552	1.4	100	1.1									1.5									80B2 n ₁ =2800 [min ⁻¹]	400	20	3.2	80	51	2.2	5		CMV 050/075	90L4 n ₁ =1400 [min ⁻¹]	200	53	3.0	40	98			2.8	5	CMV 063/15	267	29	2.3	53.3		75	1.6	7.5	200	38	1.9	40.0	96	1.3	10	133		55	1.3	26.7	135	0.9	15	400				20	5.8	80	53	3.7	5			CMV 063/075			133	78	3.3							26.7	146	3.1	7.5	CMV 075/15	267						29	4.2	53.3	76			2.8	7.5		200	38	3.4	40.0		98	2.2	10	133	56	2.4		26.7			139	1.6							15	100	72			1.6									20.0			175		1.1		20				80.0			88	1.3	16.0	210	0.8	25	66.7	102		1.4	13.3	230	1.0	30	CMV 090/15	100	104	4.0	20.0	192	3.6	10			50.0	128	1.0	10.0	288	0.7	40	100	74	2.7	20.0	180	1.7	20	80.0	90	2.0	16.0	216	1.3	25	66.7	104			2.3	13.3	252			1.5	30	50.0	132	1.6			10.0	312	1.1	40	40.0	158	1.2	8.0	366	0.8	50	CMV 075/075	50.0	197	2.2	10.0	346	2.2	20			33.3	182	1.0	6.7	410	0.7	60	66.7	107	3.8	13.3	252	2.5	30	50.0	137	2.6	10.0	317	1.8	40	40.0	165			1.9	8.0	366			1.4	50	33.3	190	1.5			6.7	425	1.1	60	25.0	236	1.1	5.0	509	0.8	80	CMV 090/075	16.7	468	0.8	3.3	763	0.8	60			20.0	277	0.9	4.0	576	0.6	100	40.0	243	2.9	8.0	432	2.8	25	CMV 110/15	40.0	270	3.2	6.7	482			3.1			30	33.3	270			3.2	6.7	482	3.1	30			25.0	350	2.4	5.0	624	2.1	40	20.0	426	1.8	4.0	732	1.6	50	16.7	490			1.4			3.3	821	1.2			60	12.5	586	1.0	2.5	979	0.9	80	10.0	710	0.8	2.0	1104	0.7	100																																																																											
20.0	192	1.3	4.0	318	1.2	50	16.7	220	1.1			3.3	353	1.0	60	12.5	264	0.8				2.5	413	0.7	80	25.0	173	2.7		5.0			293	2.6	40	CMV 090/075	16.7	367		1.9	3.3	616	1.6	60	CMV 110/15			20.0	204	2.0	4.0	342	1.9	50				16.7	234	1.6	3.3	382	1.5	60		12.5	288	1.2	2.5	451	1.1	80	10.0	330	1.0	2.0	504	0.9	100	12.5	302	2.0	2.5			490	1.8	80	CMV 110/075	12.5	454				1.3	2.5	734	1.2			80		10.0	354	1.6	2.0	552	1.4	100	1.1									1.5									80B2 n ₁ =2800 [min ⁻¹]	400	20	3.2	80	51	2.2	5	CMV 050/075	90L4 n ₁ =1400 [min ⁻¹]		200	53	3.0	40	98	2.8	5				CMV 063/15	267	29	2.3	53.3			75	1.6		7.5	200	38	1.9		40.0	96	1.3	10	133	55	1.3	26.7	135	0.9	15		400	20	5.8	80	53	3.7	5				CMV 063/075	133	78	3.3	26.7	146							3.1	7.5							CMV 075/15	267	29	4.2		53.3						76	2.8	7.5	200			38	3.4		40.0	98	2.2	10		133	56	2.4	26.7	139	1.6	15	100			72	1.6					20.0	175	1.1	20	80.0			88			1.3						16.0			210		0.8		25		66.7	102	1.4			13.3	230	1.0	30	CMV 090/15	100	104	4.0	20.0	192	3.6	10	50.0	128			1.0	10.0	288	0.7	40	100			74	2.7	20.0	180	1.7	20	80.0	90	2.0	16.0	216	1.3	25	66.7	104	2.3	13.3	252	1.5	30	50.0	132	1.6			10.0	312	1.1			40	40.0	158	1.2	8.0	366	0.8	50	CMV 075/075	50.0	197	2.2	10.0	346	2.2	20	33.3	182			1.0	6.7	410	0.7	60	66.7			107	3.8	13.3	252	2.5	30	50.0	137	2.6	10.0	317	1.8	40	40.0	165	1.9	8.0	366	1.4	50	33.3	190	1.5			6.7	425	1.1			60	25.0	236	1.1	5.0	509	0.8	80	CMV 090/075	16.7	468	0.8	3.3	763	0.8	60	20.0	277			0.9	4.0	576	0.6	100	40.0			243	2.9	8.0	432	2.8	25	CMV 110/15	40.0	270	3.2	6.7	482	3.1	30			33.3	270	3.2	6.7			482			3.1	30	25.0			350	2.4	5.0	624	2.1	40	20.0	426	1.8	4.0	732	1.6	50	16.7	490	1.4	3.3	821	1.2	60	12.5	586	1.0			2.5			979	0.9	80	10.0	710	0.8	2.0	1104	0.7	100																																																																																					
16.7	220	1.1	3.3	353	1.0	60	12.5	264	0.8			2.5	413	0.7	80	25.0	173	2.7				5.0	293	2.6	40	CMV 090/075	16.7	367		1.9	3.3	616	1.6	60	CMV 110/15			20.0	204	2.0	4.0	342	1.9	50				16.7	234	1.6	3.3	382	1.5	60				12.5	288	1.2	2.5	451	1.1	80		10.0	330	1.0	2.0	504	0.9	100	12.5	302	2.0	2.5	490	1.8	80	CMV 110/075	12.5	454	1.3			2.5	734	1.2			80		10.0	354	1.6	2.0	552	1.4	100	1.1									1.5									80B2 n ₁ =2800 [min ⁻¹]	400	20	3.2	80	51	2.2	5	CMV 050/075	90L4 n ₁ =1400 [min ⁻¹]		200	53	3.0	40	98	2.8	5				CMV 063/15	267	29	2.3	53.3	75	1.6					7.5	200	38	1.9			40.0	96		1.3	10	133	55		1.3	26.7	135	0.9	15	400	20	5.8	80	53	3.7		5	CMV 063/075	133	78	3.3	26.7	146						3.1	7.5	CMV 075/15	267							29	4.2								53.3	76	2.8		7.5						200	38	3.4	40.0			98	2.2		10	133	56	2.4		26.7	139	1.6	15	100	72	1.6	20.0	175		1.1	20					80.0	88	1.3	16.0	210	0.8	25	66.7	102		1.4		13.3			230	1.0			30		CMV 090/15		100		104	4.0	20.0		192	3.6	10	50.0	128			1.0	10.0	288	0.7	40	100	74	2.7			20.0	180	1.7	20	80.0	90			2.0	16.0	216	1.3	25	66.7	104	2.3	13.3	252	1.5	30	50.0	132	1.6	10.0	312	1.1	40	40.0	158	1.2	8.0			366	0.8	50	CMV 075/075	50.0	197	2.2	10.0	346	2.2	20	33.3	182			1.0	6.7	410	0.7	60	66.7	107	3.8			13.3	252	2.5	30	50.0	137			2.6	10.0	317	1.8	40	40.0	165	1.9	8.0	366	1.4	50	33.3	190	1.5	6.7	425	1.1	60	25.0	236	1.1	5.0			509	0.8	80	CMV 090/075	16.7	468	0.8	3.3	763	0.8	60	20.0	277			0.9	4.0	576	0.6	100	40.0	243	2.9			8.0	432	2.8	25	CMV 110/15	40.0			270	3.2	6.7	482	3.1	30			33.3	270	3.2	6.7	482	3.1			30	25.0	350	2.4			5.0			624	2.1	40	20.0	426	1.8	4.0	732	1.6	50	16.7	490	1.4	3.3	821	1.2	60	12.5	586	1.0	2.5	979	0.9	80	10.0	710	0.8	2.0			1104	0.7	100																																																																																															
12.5	264	0.8	2.5	413	0.7	80	25.0	173	2.7			5.0	293	2.6	40	CMV 090/075	16.7	367		1.9	3.3	616	1.6	60	CMV 110/15			20.0	204	2.0	4.0	342	1.9	50				16.7	234	1.6	3.3	382	1.5	60				12.5	288	1.2	2.5	451	1.1	80				10.0	330	1.0	2.0	504	0.9	100		12.5	302	2.0	2.5	490	1.8	80	CMV 110/075	12.5	454	1.3	2.5	734	1.2			80	10.0	354	1.6	2.0	552	1.4	100	1.1									1.5									80B2 n ₁ =2800 [min ⁻¹]	400	20	3.2	80	51	2.2	5	CMV 050/075	90L4 n ₁ =1400 [min ⁻¹]		200	53	3.0	40	98	2.8	5				CMV 063/15	267	29	2.3	53.3	75	1.6					7.5	200	38	1.9	40.0	96					1.3	10	133	55			1.3	26.7		135	0.9	15	400		20	5.8	80	53	3.7	5	CMV 063/075	133	78	3.3	26.7		146			3.1	7.5	CMV 075/15	267						29	4.2		53.3							76	2.8								7.5	200	38		3.4						40.0	98	2.2	10			133	56		2.4	26.7	139	1.6		15	100	72	1.6	20.0	175	1.1	20	80.0	88	1.3	16.0	210			0.8	25	66.7	102	1.4	13.3	230	1.0	30	CMV 090/15	100	104	4.0	20.0			192	3.6			10	50.0		128			1.0	10.0	288		0.7	40	100	74	2.7			20.0	180	1.7	20	80.0	90	2.0	16.0			216	1.3	25	66.7	104	2.3			13.3	252	1.5	30	50.0	132	1.6	10.0	312	1.1	40	40.0	158	1.2	8.0	366	0.8	50	CMV 075/075	50.0	197	2.2	10.0	346	2.2	20	33.3	182			1.0	6.7	410	0.7	60	66.7	107	3.8			13.3	252	2.5	30	50.0	137	2.6	10.0			317	1.8	40	40.0	165	1.9			8.0	366	1.4	50	33.3	190	1.5	6.7	425	1.1	60	25.0	236	1.1	5.0	509	0.8	80	CMV 090/075	16.7	468	0.8	3.3	763	0.8	60	20.0	277			0.9	4.0	576	0.6	100	40.0	243	2.9			8.0	432	2.8	25	CMV 110/15	40.0	270	3.2			6.7	482	3.1	30					33.3	270	3.2	6.7	482	3.1			30	25.0	350	2.4	5.0	624			2.1	40	20.0	426			1.8	4.0	732	1.6	50	16.7	490	1.4	3.3	821	1.2	60	12.5	586	1.0	2.5	979	0.9	80	10.0	710	0.8	2.0	1104	0.7	100																																																																																																									
25.0	173	2.7	5.0	293	2.6	40	CMV 090/075	16.7	367	1.9	3.3	616	1.6	60	CMV 110/15																																																																																																																																																																																																																																																																																																																																																																																																																																																																																																																																																																										
20.0	204	2.0	4.0	342	1.9	50			16.7	234	1.6	3.3	382	1.5				60	12.5	288	1.2	2.5	451	1.1				80	10.0	330	1.0	2.0	504	0.9				100	12.5	302	2.0	2.5	490	1.8				80	CMV 110/075	12.5	454	1.3	2.5	734		1.2	80	10.0	354	1.6	2.0	552	1.4	100	1.1									1.5									80B2 n ₁ =2800 [min ⁻¹]	400	20	3.2	80	51	2.2	5	CMV 050/075	90L4 n ₁ =1400 [min ⁻¹]	200	53	3.0	40	98	2.8	5	CMV 063/15	267	29	2.3	53.3	75	1.6	7.5		200	38	1.9	40.0	96	1.3	10				133	55	1.3	26.7	135	0.9	15					400	20	5.8	80	53	3.7					5	CMV 063/075	133	78	3.3	26.7					146	3.1	7.5	CMV 075/15			267	29		4.2	53.3	76	2.8		7.5	200	38	3.4	40.0	98			2.2	10	133		56			2.4	26.7		139						1.6	15		100							72	1.6	20.0	175						1.1	20	80.0		88	1.3					16.0	210	0.8	25			66.7	102		1.4	13.3	230	1.0		30	CMV 090/15	100	104	4.0	20.0	192	3.6	10	50.0	128	1.0	10.0	288	0.7	40	100	74	2.7	20.0	180	1.7	20	80.0			90	2.0	16.0	216	1.3	25	66.7	104	2.3	13.3	252		1.5		30	50.0	132	1.6	10.0	312	1.1	40	40.0	158			1.2	8.0	366	0.8	50	CMV 075/075	50.0	197			2.2	10.0	346	2.2	20	33.3	182	1.0	6.7	410	0.7	60	66.7	107	3.8	13.3	252	2.5	30	50.0	137	2.6	10.0	317	1.8	40			40.0	165	1.9	8.0	366	1.4	50	33.3			190	1.5	6.7	425	1.1	60	25.0	236			1.1	5.0	509	0.8	80	CMV 090/075	16.7	468			0.8	3.3	763	0.8	60	20.0	277	0.9	4.0	576	0.6	100	40.0	243	2.9	8.0	432	2.8	25	CMV 110/15	40.0	270	3.2	6.7	482	3.1			30	33.3	270	3.2	6.7	482	3.1	30			25.0	350	2.4	5.0	624	2.1	40	20.0			426	1.8	4.0	732			1.6	50			16.7	490	1.4	3.3			821	1.2	60	12.5	586	1.0	2.5	979			0.9	80	10.0	710	0.8	2.0			1104	0.7	100																																																																																																																																						
16.7	234	1.6	3.3	382	1.5	60			12.5	288	1.2	2.5	451	1.1				80	10.0	330	1.0	2.0	504	0.9				100	12.5	302	2.0	2.5	490	1.8				80	CMV 110/075	12.5	454	1.3	2.5	734		1.2	80	10.0			354	1.6	2.0	552	1.4	100	1.1									1.5									80B2 n ₁ =2800 [min ⁻¹]	400	20	3.2	80	51	2.2	5		CMV 050/075	90L4 n ₁ =1400 [min ⁻¹]	200	53	3.0	40	98			2.8	5	CMV 063/15	267	29	2.3	53.3		75	1.6	7.5	200	38	1.9	40.0		96	1.3	10	133	55	1.3	26.7				135	0.9	15	400	20	5.8	80					53	3.7	5	CMV 063/075	133	78					3.3			26.7	146	3.1					7.5	CMV 075/15	267				29	4.2		53.3	76	2.8	7.5		200	38	3.4	40.0	98	2.2			10	133	56		2.4			26.7	139		1.6						15	100		72			1.6			20.0	175	1.1	20	80.0						88	1.3	16.0	210	0.8	25					66.7	102	1.4	13.3			230	1.0		30	CMV 090/15	100	104		4.0			20.0	192	3.6	10	50.0	128	1.0	10.0	288	0.7	40	100	74	2.7	20.0	180	1.7	20	80.0	90	2.0			16.0	216	1.3	25	66.7	104	2.3	13.3	252	1.5	30		50.0		132	1.6	10.0	312	1.1	40	40.0	158	1.2	8.0			366	0.8	50	CMV 075/075	50.0			197	2.2	10.0	346	2.2	20	33.3	182	1.0	6.7	410	0.7	60	66.7	107	3.8	13.3	252	2.5	30	50.0	137	2.6	10.0	317	1.8	40	40.0	165			1.9	8.0	366	1.4	50	33.3	190	1.5			6.7	425	1.1	60	25.0	236	1.1	5.0			509	0.8	80	CMV 090/075	16.7			468	0.8	3.3	763	0.8	60	20.0	277	0.9	4.0	576	0.6	100	40.0	243	2.9	8.0	432	2.8	25	CMV 110/15	40.0			270	3.2	6.7	482	3.1			30	33.3	270	3.2	6.7	482	3.1	30			25.0	350	2.4	5.0	624	2.1	40	20.0			426	1.8	4.0	732			1.6	50	16.7	490	1.4	3.3	821	1.2			60	12.5	586	1.0	2.5	979	0.9	80			10.0	710	0.8	2.0	1104	0.7	100																																																																																																																																										
12.5	288	1.2	2.5	451	1.1	80			10.0	330	1.0	2.0	504	0.9				100	12.5	302	2.0	2.5	490	1.8				80	CMV 110/075	12.5	454	1.3	2.5	734		1.2	80	10.0			354	1.6	2.0	552	1.4	100	1.1									1.5									80B2 n ₁ =2800 [min ⁻¹]	400	20	3.2	80	51	2.2	5	CMV 050/075	90L4 n ₁ =1400 [min ⁻¹]		200	53	3.0	40	98	2.8	5				CMV 063/15	267	29	2.3	53.3			75	1.6		7.5	200	38	1.9		40.0	96	1.3	10	133	55	1.3		26.7	135	0.9	15	400	20	5.8				80	53	3.7	5	CMV 063/075	133	78					3.3	26.7	146			3.1					7.5			CMV 075/15	267	29					4.2		53.3				76	2.8		7.5	200	38	3.4		40.0	98	2.2	10	133	56			2.4	26.7	139		1.6			15	100		72				1.6	20.0	175	1.1		20			80.0			88	1.3	16.0	210	0.8					25	66.7	102	1.4	13.3	230	1.0	30				CMV 090/15	100	104	4.0	20.0	192	3.6	10		50.0			128	1.0	10.0			288	0.7	40	100	74	2.7	20.0	180	1.7	20	80.0	90	2.0	16.0	216	1.3	25	66.7	104	2.3	13.3			252	1.5	30	50.0	132	1.6	10.0	312	1.1	40	40.0		158		1.2	8.0	366	0.8	50	CMV 075/075	50.0	197	2.2	10.0	346	2.2	20	33.3	182					1.0	6.7	410	0.7	60	66.7	107	3.8	13.3	252	2.5	30	50.0	137	2.6	10.0	317	1.8	40	40.0	165	1.9	8.0	366	1.4	50	33.3	190	1.5			6.7	425	1.1	60	25.0	236	1.1	5.0			509	0.8	80	CMV 090/075	16.7	468	0.8	3.3	763	0.8	60	20.0	277					0.9	4.0	576	0.6	100	40.0	243	2.9	8.0	432	2.8	25	CMV 110/15	40.0	270	3.2	6.7	482	3.1	30					33.3	270	3.2	6.7	482			3.1	30	25.0	350	2.4	5.0	624	2.1			40	20.0	426	1.8	4.0	732	1.6	50	16.7	490	1.4	3.3	821	1.2			60	12.5	586	1.0	2.5	979	0.9	80			10.0	710	0.8	2.0	1104	0.7	100																																																																																																																																																				
10.0	330	1.0	2.0	504	0.9	100			12.5	302	2.0	2.5	490	1.8				80	CMV 110/075	12.5	454	1.3	2.5	734		1.2	80	10.0			354	1.6	2.0	552	1.4	100	1.1									1.5									80B2 n ₁ =2800 [min ⁻¹]	400	20	3.2	80	51	2.2	5	CMV 050/075	90L4 n ₁ =1400 [min ⁻¹]		200	53	3.0	40	98	2.8	5				CMV 063/15	267	29	2.3	53.3	75	1.6					7.5	200	38	1.9			40.0	96		1.3	10	133	55		1.3	26.7	135	0.9	15	400	20		5.8	80	53	3.7	5	CMV 063/075	133				78	3.3	26.7	146			3.1					7.5	CMV 075/15	267			29					4.2				53.3	76					2.8		7.5				200	38		3.4	40.0	98	2.2		10	133	56	2.4	26.7	139			1.6	15	100		72	1.6	20.0	175	1.1		20				80.0	88	1.3	16.0	210	0.8			25			66.7	102	1.4	13.3	230				1.0	30	CMV 090/15	100	104	4.0	20.0	192	3.6	10	50.0				128	1.0	10.0	288	0.7	40	100	74			2.7	20.0	180			1.7	20	80.0	90	2.0	16.0	216	1.3	25	66.7	104	2.3	13.3	252	1.5	30	50.0	132	1.6	10.0	312			1.1	40	40.0	158	1.2	8.0	366	0.8	50	CMV 075/075	50.0	197	2.2	10.0	346	2.2	20	33.3	182			1.0	6.7	410	0.7	60	66.7	107	3.8					13.3	252	2.5	30	50.0	137	2.6	10.0	317	1.8	40	40.0	165	1.9	8.0	366	1.4	50	33.3	190	1.5	6.7	425	1.1	60	25.0	236	1.1	5.0			509	0.8	80	CMV 090/075	16.7	468	0.8	3.3	763	0.8	60	20.0	277			0.9	4.0	576	0.6	100	40.0	243	2.9					8.0	432	2.8	25	CMV 110/15	40.0	270	3.2	6.7	482	3.1	30			33.3	270	3.2	6.7	482	3.1					30	25.0	350	2.4	5.0			624	2.1	40	20.0	426	1.8	4.0	732	1.6	50	16.7	490	1.4	3.3	821	1.2	60	12.5	586	1.0	2.5	979	0.9	80			10.0	710	0.8	2.0	1104	0.7	100																																																																																																																																																														
12.5	302	2.0	2.5	490	1.8	80			CMV 110/075	12.5	454	1.3	2.5	734		1.2	80																																																																																																																																																																																																																																																																																																																																																																																																																																																																																																																																																																								
10.0	354	1.6	2.0	552	1.4	100	1.1									1.5									80B2 n ₁ =2800 [min ⁻¹]	400	20	3.2	80	51	2.2	5	CMV 050/075	90L4 n ₁ =1400 [min ⁻¹]	200	53	3.0	40	98	2.8	5	CMV 063/15	267	29	2.3	53.3	75	1.6	7.5	200	38	1.9	40.0	96		1.3	10	133	55	1.3	26.7	135				0.9	15	400	20	5.8	80	53					3.7	5	CMV 063/075	133	78	3.3					26.7	146	3.1	7.5			CMV 075/15	267		29	4.2	53.3	76		2.8	7.5	200	38	3.4	40.0	98		2.2	10	133	56	2.4						26.7	139	1.6	15			100					72		1.6			20.0					175				1.1	20					80.0		88				1.3	16.0		210	0.8	25	66.7		102	1.4	13.3	230	1.0	30	CMV 090/15	100	104	4.0	20.0		192	3.6	10	50.0	128	1.0	10.0		288		0.7	40	100	74	2.7	20.0	180	1.7	20	80.0		90	2.0	16.0	216	1.3	25	66.7	104	2.3	13.3			252	1.5	30	50.0	132	1.6	10.0	312			1.1	40	40.0	158	1.2	8.0	366	0.8			50	CMV 075/075	50.0			197	2.2	10.0	346	2.2	20	33.3	182	1.0	6.7	410	0.7	60	66.7	107	3.8	13.3	252	2.5	30	50.0	137	2.6	10.0	317	1.8	40	40.0	165	1.9	8.0	366			1.4	50	33.3	190	1.5	6.7	425	1.1			60	25.0	236	1.1	5.0	509	0.8	80					CMV 090/075	16.7	468	0.8	3.3	763	0.8	60	20.0	277	0.9	4.0	576	0.6	100	40.0	243	2.9	8.0	432	2.8	25	CMV 110/15	40.0	270	3.2	6.7	482	3.1	30	33.3	270	3.2	6.7			482	3.1	30	25.0	350	2.4	5.0	624			2.1	40	20.0	426	1.8	4.0	732	1.6					50	16.7	490	1.4			3.3	821	1.2	60	12.5	586			1.0	2.5	979	0.9	80	10.0					710	0.8	2.0	1104	0.7	100																																																																																																																																																																																																
1.1									1.5																																																																																																																																																																																																																																																																																																																																																																																																																																																																																																																																																																																
80B2 n ₁ =2800 [min ⁻¹]	400	20	3.2	80	51	2.2	5	CMV 050/075	90L4 n ₁ =1400 [min ⁻¹]	200	53	3.0	40	98	2.8	5	CMV 063/15																																																																																																																																																																																																																																																																																																																																																																																																																																																																																																																																																																								
	267	29	2.3	53.3	75	1.6	7.5			200	38	1.9	40.0	96	1.3	10		133	55	1.3	26.7	135	0.9	15		400	20	5.8	80	53	3.7	5			CMV 063/075	133	78	3.3	26.7	146	3.1		7.5	CMV 075/15	267	29	4.2	53.3	76	2.8	7.5	200	38	3.4		40.0	98	2.2	10	133	56	2.4				26.7	139	1.6	15	100	72	1.6					20.0	175			1.1	20					80.0	88	1.3	16.0				210		0.8	25	66.7	102		1.4	13.3	230	1.0	30	CMV 090/15	100		104	4.0	20.0	192	3.6						10	50.0	128	1.0	10.0	288	0.7					40		100	74	2.7	20.0					180	1.7	20	80.0	90	2.0	16.0				216	1.3	25	66.7	104	2.3	13.3	252		1.5	30	50.0	132	1.6	10.0	312	1.1	40	40.0	158			1.2	8.0	366	0.8	50	CMV 075/075	50.0	197	2.2	10.0	346	2.2	20	33.3	182	1.0	6.7	410	0.7	60	66.7	107	3.8	13.3	252	2.5	30	50.0	137	2.6	10.0	317	1.8	40	40.0			165	1.9	8.0	366	1.4	50	33.3	190	1.5	6.7	425	1.1	60	25.0	236	1.1	5.0	509	0.8	80	CMV 090/075			16.7	468	0.8	3.3	763	0.8	60	20.0	277	0.9	4.0	576	0.6	100	40.0	243	2.9	8.0	432	2.8	25	CMV 110/15	40.0	270	3.2	6.7	482	3.1	30	33.3	270	3.2	6.7	482			3.1	30	25.0	350	2.4	5.0	624	2.1	40	20.0	426	1.8	4.0	732	1.6	50	16.7	490	1.4	3.3	821	1.2			60	12.5	586	1.0	2.5	979	0.9	80	10.0	710	0.8	2.0	1104	0.7	100																																																																																																																																																																																																																																																																							
	200	38	1.9	40.0	96	1.3	10			133	55	1.3	26.7	135	0.9	15		400	20	5.8	80	53	3.7	5		CMV 063/075	133	78	3.3	26.7	146	3.1					7.5	CMV 075/15	267	29	4.2		53.3		76	2.8	7.5	200	38	3.4	40.0	98	2.2	10		133	56	2.4	26.7	139	1.6	15				100	72	1.6	20.0	175	1.1	20					80.0	88			1.3	16.0					210	0.8	25	66.7				102		1.4	13.3	230	1.0		30	CMV 090/15	100	104	4.0				20.0	192	3.6	10	50.0	128	1.0				10.0	288	0.7	40	100	74	2.7					20.0	180	1.7	20	80.0	90			2.0		16.0	216	1.3	25	66.7	104	2.3	13.3	252		1.5	30	50.0	132	1.6	10.0	312	1.1	40	40.0	158	1.2	8.0	366	0.8	50	CMV 075/075	50.0	197	2.2			10.0	346	2.2	20	33.3			182	1.0	6.7	410	0.7	60	66.7	107	3.8	13.3	252	2.5	30	50.0	137	2.6	10.0	317	1.8	40	40.0	165	1.9	8.0	366	1.4	50	33.3	190	1.5	6.7	425	1.1	60	25.0	236	1.1	5.0	509	0.8	80	CMV 090/075	16.7	468	0.8	3.3	763	0.8	60	20.0					277	0.9	4.0	576	0.6	100	40.0	243	2.9	8.0	432	2.8	25	CMV 110/15	40.0	270	3.2	6.7	482	3.1			30	33.3	270	3.2	6.7	482	3.1	30	25.0	350	2.4	5.0	624	2.1	40	20.0	426	1.8	4.0	732	1.6	50	16.7	490	1.4	3.3	821	1.2	60	12.5	586	1.0	2.5	979	0.9			80	10.0	710	0.8	2.0	1104	0.7	100																																																																																																																																																																																																																																																																														
	133	55	1.3	26.7	135	0.9	15			400	20	5.8	80	53	3.7	5		CMV 063/075	133	78	3.3	26.7	146	3.1				7.5	CMV 075/15	267	29	4.2					53.3		76	2.8	7.5		200		38	3.4	40.0	98	2.2	10	133	56	2.4	26.7		139	1.6	15	100	72	1.6	20.0				175	1.1	20	80.0	88	1.3	16.0					210	0.8			25	66.7					102	1.4	13.3	230				1.0		30	CMV 090/15	100	104		4.0			20.0	192				3.6	10	50.0	128	1.0	10.0	288				0.7	40	100	74	2.7	20.0	180			1.7		20	80.0	90	2.0	16.0	216	1.3	25	66.7		104	2.3	13.3	252	1.5	30	50.0	132	1.6	10.0	312	1.1	40	40.0	158	1.2	8.0	366	0.8	50	CMV 075/075	50.0	197	2.2	10.0	346			2.2	20			33.3	182	1.0	6.7	410			0.7	60	66.7	107	3.8	13.3	252	2.5	30	50.0	137	2.6	10.0	317	1.8	40	40.0	165	1.9	8.0	366	1.4	50	33.3	190	1.5	6.7	425	1.1	60	25.0	236	1.1	5.0	509	0.8	80	CMV 090/075	16.7	468	0.8			3.3	763	0.8	60	20.0	277	0.9					4.0	576	0.6	100	40.0	243	2.9	8.0	432	2.8	25	CMV 110/15	40.0			270	3.2	6.7	482	3.1			30	33.3	270	3.2	6.7	482	3.1	30	25.0	350	2.4	5.0	624	2.1	40	20.0	426	1.8	4.0	732	1.6	50	16.7	490	1.4	3.3	821	1.2	60	12.5	586	1.0	2.5	979	0.9			80	10.0	710	0.8	2.0	1104	0.7	100																																																																																																																																																																																																																																																																														
	400	20	5.8	80	53	3.7	5			CMV 063/075	133	78	3.3	26.7	146	3.1				7.5	CMV 075/15																																																																																																																																																																																																																																																																																																																																																																																																																																																																																																																																																																				
	267	29	4.2	53.3	76	2.8	7.5					200	38	3.4	40.0	98				2.2		10	133	56				2.4		26.7	139	1.6					15		100	72	1.6		20.0		175	1.1	20	80.0	88	1.3	16.0	210	0.8	25		66.7	102	1.4	13.3	230	1.0	30				CMV 090/15	100	104	4.0	20.0	192	3.6					10	50.0	128	1.0	10.0	288					0.7	40	100	74			2.7	20.0		180			1.7		20			80.0	90			2.0	16.0	216	1.3	25	66.7	104	2.3	13.3	252	1.5	30	50.0	132	1.6	10.0	312	1.1	40	40.0	158	1.2	8.0	366	0.8	50	CMV 075/075	50.0	197	2.2	10.0	346	2.2	20	33.3	182	1.0	6.7	410	0.7	60	66.7	107	3.8	13.3	252	2.5	30	50.0	137	2.6	10.0			317	1.8	40	40.0			165	1.9	8.0	366	1.4	50	33.3	190	1.5			6.7	425	1.1	60	25.0	236	1.1	5.0	509	0.8	80	CMV 090/075	16.7	468	0.8	3.3	763	0.8	60	20.0	277	0.9	4.0	576	0.6	100	40.0	243	2.9	8.0	432	2.8	25	CMV 110/15	40.0	270	3.2			6.7	482			3.1	30	33.3	270	3.2	6.7	482		3.1	30		25.0	350	2.4	5.0	624	2.1	40	20.0	426	1.8	4.0					732	1.6	50	16.7	490			1.4	3.3	821	1.2	60	12.5	586	1.0	2.5	979	0.9	80	10.0	710	0.8	2.0	1104	0.7	100																																																																																																																																																																																																																																																																																																								
	200	38	3.4	40.0	98	2.2	10					133	56	2.4	26.7	139				1.6		15	100	72				1.6		20.0	175	1.1					20		80.0	88	1.3		16.0		210	0.8	25	66.7	102	1.4	13.3	230	1.0	30		CMV 090/15	100	104	4.0	20.0	192	3.6						10	50.0	128	1.0	10.0					288	0.7	40	100	74	2.7					20.0	180	1.7	20			80.0	90		2.0			16.0		216			1.3	25			66.7	104	2.3	13.3	252	1.5	30	50.0	132	1.6	10.0	312	1.1	40	40.0	158	1.2	8.0	366	0.8	50	CMV 075/075	50.0	197	2.2	10.0			346	2.2	20	33.3	182	1.0	6.7	410	0.7	60	66.7	107	3.8	13.3	252	2.5	30	50.0	137	2.6	10.0	317	1.8	40			40.0	165	1.9	8.0			366	1.4	50	33.3	190	1.5	6.7	425	1.1			60	25.0	236	1.1	5.0	509	0.8	80	CMV 090/075	16.7	468			0.8	3.3	763	0.8	60	20.0	277	0.9	4.0	576	0.6	100	40.0	243	2.9	8.0	432	2.8	25	CMV 110/15			40.0	270			3.2	6.7			482	3.1	30	33.3	270	3.2	6.7		482	3.1		30	25.0	350	2.4	5.0	624	2.1	40	20.0	426	1.8					4.0	732	1.6	50	16.7			490	1.4	3.3	821	1.2	60	12.5	586	1.0	2.5	979	0.9	80	10.0	710	0.8	2.0	1104	0.7	100																																																																																																																																																																																																																																																																																																							
	133	56	2.4	26.7	139	1.6	15					100	72	1.6	20.0	175				1.1		20	80.0	88				1.3		16.0	210	0.8			25	66.7	102		1.4	13.3	230		1.0	30	CMV 090/15	100	104	4.0	20.0	192	3.6	10	50.0	128				1.0	10.0	288	0.7	40						100	74	2.7	20.0	180					1.7	20	80.0	90	2.0	16.0	216				1.3	25	66.7	104	2.3	13.3	252	1.5		30			50.0	132	1.6			10.0	312	1.1	40	40.0	158	1.2	8.0	366	0.8	50	CMV 075/075	50.0	197	2.2	10.0	346	2.2	20	33.3	182	1.0	6.7	410	0.7			60	66.7	107			3.8	13.3	252	2.5	30	50.0	137	2.6	10.0	317	1.8	40	40.0	165	1.9	8.0	366	1.4	50	33.3	190	1.5	6.7	425			1.1	60	25.0	236			1.1	5.0	509	0.8	80	CMV 090/075	16.7	468	0.8	3.3	763	0.8	60	20.0	277	0.9	4.0	576	0.6			100			40.0	243	2.9	8.0	432	2.8	25	CMV 110/15	40.0	270	3.2	6.7	482	3.1	30	33.3	270	3.2	6.7					482			3.1	30			25.0	350	2.4	5.0	624	2.1	40	20.0	426	1.8	4.0	732	1.6	50	16.7	490	1.4	3.3	821	1.2	60	12.5					586	1.0	2.5	979	0.9	80	10.0	710	0.8	2.0	1104	0.7	100																																																																																																																																																																																																																																																																																																																					
	100	72	1.6	20.0	175	1.1	20					80.0	88	1.3	16.0	210				0.8		25	66.7	102		1.4	13.3	230		1.0	30	CMV 090/15			100	104	4.0	20.0	192	3.6	10		50.0	128			1.0	10.0	288	0.7	40	100	74	2.7				20.0	180	1.7	20	80.0						90	2.0	16.0	216	1.3			25		66.7	104	2.3	13.3	252	1.5	30	50.0	132		1.6	10.0	312	1.1	40	40.0	158	1.2	8.0	366			0.8	50	CMV 075/075	50.0	197	2.2	10.0	346	2.2	20	33.3	182	1.0	6.7	410	0.7			60	66.7	107	3.8	13.3	252	2.5	30	50.0	137	2.6	10.0			317	1.8	40			40.0	165	1.9	8.0	366	1.4	50	33.3	190	1.5	6.7	425	1.1	60	25.0	236	1.1	5.0	509	0.8	80	CMV 090/075	16.7	468			0.8	3.3	763	0.8	60	20.0	277	0.9	4.0	576	0.6			100	40.0	243	2.9	8.0	432	2.8	25	CMV 110/15	40.0	270	3.2			6.7			482	3.1	30	33.3	270	3.2	6.7			482	3.1	30	25.0	350	2.4	5.0	624	2.1	40					20.0			426	1.8	4.0	732	1.6	50	16.7	490	1.4	3.3	821	1.2	60	12.5	586	1.0	2.5	979	0.9	80	10.0	710	0.8	2.0	1104	0.7			100																																																																																																																																																																																																																																																																																																																																			
	80.0	88	1.3	16.0	210	0.8	25					66.7	102	1.4	13.3	230		1.0	30	CMV 090/15		100	104	4.0		20.0	192	3.6	10	50.0	128					1.0	10.0	288	0.7	40	100		74	2.7			20.0	180	1.7	20	80.0	90	2.0	16.0				216	1.3	25	66.7	104			2.3			13.3	252	1.5	30	50.0	132	1.6	10.0		312	1.1	40	40.0	158	1.2	8.0	366	0.8	50	CMV 075/075	50.0	197	2.2	10.0	346	2.2	20	33.3	182	1.0	6.7	410	0.7			60	66.7	107	3.8	13.3	252	2.5	30	50.0	137	2.6	10.0			317	1.8	40	40.0	165	1.9	8.0	366	1.4	50	33.3	190			1.5	6.7	425			1.1	60	25.0	236	1.1	5.0	509	0.8	80	CMV 090/075	16.7	468	0.8	3.3	763	0.8	60	20.0	277	0.9	4.0			576	0.6	100	40.0	243	2.9	8.0	432	2.8	25	CMV 110/15	40.0	270	3.2			6.7	482	3.1	30	33.3	270	3.2	6.7			482	3.1			30			25.0	350	2.4	5.0	624	2.1	40			20.0	426	1.8	4.0	732	1.6	50	16.7	490	1.4					3.3	821	1.2	60	12.5	586	1.0	2.5	979	0.9	80	10.0	710	0.8	2.0	1104	0.7	100																																																																																																																																																																																																																																																																																																																																																	
	66.7	102	1.4	13.3	230	1.0	30			CMV 090/15	100	104	4.0	20.0	192	3.6		10																																																																																																																																																																																																																																																																																																																																																																																																																																																																																																																																																																							
	50.0	128	1.0	10.0	288	0.7	40					100	74	2.7	20.0	180		1.7	20		80.0		90	2.0		16.0	216	1.3	25	66.7	104					2.3	13.3	252	1.5	30	50.0		132	1.6			10.0	312	1.1	40	40.0	158	1.2	8.0	366			0.8	50	CMV 075/075	50.0	197	2.2	10.0	346	2.2	20	33.3	182	1.0	6.7	410	0.7	60	66.7	107	3.8	13.3	252	2.5	30	50.0	137	2.6	10.0	317			1.8	40	40.0	165	1.9	8.0	366	1.4	50	33.3	190	1.5			6.7	425	1.1	60	25.0	236	1.1	5.0	509	0.8	80	CMV 090/075			16.7	468	0.8	3.3	763	0.8	60	20.0	277	0.9	4.0	576			0.6	100	40.0	243	2.9	8.0	432	2.8	25	CMV 110/15	40.0	270	3.2	6.7			482	3.1	30	33.3	270	3.2	6.7	482	3.1	30			25.0	350	2.4	5.0	624	2.1	40	20.0	426	1.8			4.0	732			1.6	50	16.7	490	1.4	3.3	821	1.2			60	12.5			586	1.0	2.5	979	0.9	80	10.0	710	0.8	2.0			1104	0.7	100																																																																																																																																																																																																																																																																																																																																																																														
	100	74	2.7	20.0	180	1.7	20					80.0	90	2.0	16.0	216		1.3	25		66.7		104	2.3	13.3	252	1.5	30	50.0	132	1.6		10.0	312		1.1	40	40.0	158	1.2	8.0	366	0.8	50			CMV 075/075	50.0	197	2.2	10.0	346	2.2	20	33.3	182	1.0	6.7	410			0.7	60	66.7	107	3.8	13.3	252	2.5	30	50.0	137	2.6	10.0	317	1.8	40	40.0	165	1.9	8.0	366	1.4	50	33.3	190			1.5	6.7	425	1.1	60	25.0	236	1.1	5.0	509	0.8	80			CMV 090/075	16.7	468	0.8	3.3	763	0.8	60	20.0	277	0.9					4.0	576	0.6	100	40.0	243	2.9	8.0	432	2.8	25	CMV 110/15	40.0	270	3.2	6.7	482	3.1	30	33.3	270	3.2			6.7	482	3.1			30	25.0	350	2.4	5.0	624	2.1	40	20.0	426			1.8	4.0	732	1.6	50	16.7	490	1.4	3.3	821			1.2	60			12.5	586	1.0	2.5	979	0.9	80	10.0			710	0.8	2.0	1104	0.7	100																																																																																																																																																																																																																																																																																																																																																																																											
	80.0	90	2.0	16.0	216	1.3	25					66.7	104	2.3	13.3	252		1.5	30		50.0		132	1.6	10.0	312	1.1	40	40.0	158	1.2		8.0	366		0.8	50	CMV 075/075	50.0	197	2.2	10.0	346	2.2	20	33.3			182	1.0	6.7	410	0.7	60	66.7	107	3.8	13.3	252			2.5	30	50.0	137	2.6	10.0	317	1.8	40	40.0	165	1.9	8.0	366	1.4	50	33.3	190	1.5	6.7	425	1.1	60	25.0	236			1.1	5.0	509	0.8	80	CMV 090/075	16.7	468	0.8	3.3	763	0.8					60	20.0	277	0.9	4.0	576	0.6	100	40.0		243	2.9		8.0	432	2.8	25	CMV 110/15	40.0	270	3.2	6.7	482	3.1			30	33.3	270	3.2	6.7	482	3.1	30	25.0			350	2.4	5.0			624	2.1	40	20.0	426	1.8	4.0	732	1.6	50			16.7	490	1.4	3.3	821	1.2	60	12.5	586	1.0			2.5	979	0.9	80	10.0	710	0.8	2.0	1104	0.7	100																																																																																																																																																																																																																																																																																																																																																																																																				
66.7	104	2.3	13.3	252	1.5	30	50.0	132	1.6			10.0	312	1.1	40	40.0	158	1.2	8.0		366		0.8	50	CMV 075/075	50.0	197	2.2	10.0	346	2.2	20	33.3	182	1.0	6.7	410			0.7	60	66.7	107	3.8	13.3	252			2.5	30	50.0	137	2.6	10.0	317	1.8	40	40.0	165			1.9	8.0	366	1.4	50	33.3	190	1.5	6.7	425	1.1	60	25.0	236	1.1	5.0	509	0.8	80	CMV 090/075	16.7	468	0.8	3.3	763			0.8	60	20.0	277	0.9			4.0	576	0.6	100	40.0	243	2.9			8.0	432	2.8	25	CMV 110/15	40.0	270	3.2	6.7		482	3.1		30	33.3	270	3.2			6.7	482	3.1	30	25.0			350	2.4	5.0	624	2.1	40	20.0	426	1.8			4.0	732	1.6			50	16.7	490	1.4	3.3	821	1.2	60	12.5	586	1.0	2.5	979	0.9	80	10.0	710	0.8	2.0	1104	0.7	100																																																																																																																																																																																																																																																																																																																																																																																																																	
50.0	132	1.6	10.0	312	1.1	40	40.0	158	1.2			8.0	366	0.8	50	CMV 075/075	50.0	197	2.2	10.0	346	2.2	20	33.3			182	1.0	6.7	410	0.7	60	66.7	107	3.8	13.3	252			2.5	30	50.0	137	2.6	10.0	317			1.8	40	40.0	165	1.9	8.0	366	1.4	50	33.3	190			1.5	6.7	425	1.1	60	25.0	236	1.1	5.0	509	0.8	80	CMV 090/075	16.7	468	0.8	3.3	763	0.8			60	20.0	277	0.9	4.0	576	0.6	100	40.0	243	2.9			8.0	432	2.8	25	CMV 110/15	40.0	270			3.2	6.7	482	3.1			30	33.3	270		3.2	6.7		482	3.1	30	25.0			350	2.4	5.0	624	2.1			40	20.0	426	1.8	4.0	732	1.6	50	16.7			490	1.4	3.3	821	1.2	60	12.5	586	1.0	2.5	979	0.9	80	10.0	710	0.8	2.0	1104	0.7	100																																																																																																																																																																																																																																																																																																																																																																																																																								
40.0	158	1.2	8.0	366	0.8	50	CMV 075/075	50.0	197	2.2	10.0	346	2.2	20																																																																																																																																																																																																																																																																																																																																																																																																																																																																																																																																																																											
33.3	182	1.0	6.7	410	0.7	60			66.7	107	3.8	13.3	252	2.5	30			50.0	137	2.6	10.0	317	1.8	40			40.0	165	1.9	8.0	366	1.4	50	33.3	190	1.5	6.7			425	1.1	60	25.0	236	1.1	5.0			509	0.8	80	CMV 090/075	16.7	468	0.8	3.3	763	0.8	60	20.0	277	0.9	4.0	576	0.6	100	40.0	243	2.9	8.0	432	2.8	25			CMV 110/15	40.0	270	3.2	6.7			482	3.1	30	33.3	270	3.2	6.7	482	3.1	30	25.0			350	2.4	5.0	624			2.1			40	20.0	426	1.8			4.0	732	1.6	50	16.7	490	1.4	3.3	821	1.2	60			12.5	586	1.0	2.5	979			0.9	80	10.0	710	0.8	2.0	1104	0.7	100																																																																																																																																																																																																																																																																																																																																																																																																																																														
66.7	107	3.8	13.3	252	2.5	30			50.0	137	2.6	10.0	317	1.8	40			40.0	165	1.9	8.0	366	1.4	50			33.3	190	1.5	6.7	425	1.1	60	25.0	236	1.1	5.0			509	0.8	80	CMV 090/075	16.7	468	0.8	3.3	763	0.8	60	20.0			277	0.9	4.0	576	0.6	100	40.0	243	2.9	8.0	432	2.8	25	CMV 110/15	40.0	270	3.2	6.7	482	3.1					30	33.3	270			3.2	6.7	482	3.1	30	25.0	350	2.4	5.0	624	2.1			40	20.0	426	1.8			4.0	732	1.6	50	16.7	490	1.4			3.3	821	1.2	60	12.5	586	1.0	2.5	979	0.9	80			10.0	710	0.8	2.0	1104	0.7	100																																																																																																																																																																																																																																																																																																																																																																																																																																																							
50.0	137	2.6	10.0	317	1.8	40			40.0	165	1.9	8.0	366	1.4	50			33.3	190	1.5	6.7	425	1.1	60			25.0	236	1.1	5.0	509	0.8	80	CMV 090/075	16.7	468	0.8	3.3	763	0.8	60	20.0			277	0.9	4.0	576	0.6	100	40.0			243	2.9	8.0	432	2.8	25	CMV 110/15	40.0	270	3.2	6.7	482	3.1			30	33.3	270	3.2	6.7					482	3.1	30			25.0	350	2.4	5.0	624	2.1	40	20.0	426	1.8	4.0	732	1.6	50	16.7	490	1.4			3.3	821	1.2	60	12.5	586	1.0			2.5	979	0.9	80	10.0	710	0.8	2.0	1104	0.7	100																																																																																																																																																																																																																																																																																																																																																																																																																																																																
40.0	165	1.9	8.0	366	1.4	50			33.3	190	1.5	6.7	425	1.1	60			25.0	236	1.1	5.0	509	0.8	80	CMV 090/075	16.7	468	0.8	3.3	763	0.8	60	20.0			277	0.9	4.0	576	0.6	100	40.0			243	2.9	8.0	432	2.8	25	CMV 110/15			40.0	270	3.2	6.7	482	3.1			30	33.3	270	3.2	6.7			482	3.1	30	25.0	350					2.4	5.0	624	2.1	40	20.0	426	1.8	4.0	732	1.6	50	16.7	490	1.4	3.3	821	1.2	60	12.5	586	1.0			2.5	979	0.9	80	10.0	710	0.8	2.0	1104	0.7	100																																																																																																																																																																																																																																																																																																																																																																																																																																																																									
33.3	190	1.5	6.7	425	1.1	60			25.0	236	1.1	5.0	509	0.8	80	CMV 090/075	16.7	468	0.8	3.3	763	0.8	60	20.0			277	0.9	4.0	576	0.6	100	40.0			243	2.9	8.0	432	2.8	25	CMV 110/15			40.0	270	3.2	6.7	482	3.1					30	33.3	270	3.2	6.7			482	3.1	30	25.0	350			2.4	5.0	624	2.1	40	20.0	426			1.8	4.0	732	1.6	50	16.7	490	1.4	3.3	821	1.2	60	12.5	586	1.0	2.5	979	0.9	80	10.0	710	0.8	2.0	1104	0.7	100																																																																																																																																																																																																																																																																																																																																																																																																																																																																																		
25.0	236	1.1	5.0	509	0.8	80	CMV 090/075	16.7	468	0.8	3.3	763	0.8	60																																																																																																																																																																																																																																																																																																																																																																																																																																																																																																																																																																											
20.0	277	0.9	4.0	576	0.6	100			40.0	243	2.9	8.0	432	2.8	25			CMV 110/15	40.0	270	3.2	6.7	482	3.1			30	33.3	270	3.2	6.7	482	3.1			30	25.0	350	2.4	5.0	624					2.1	40	20.0	426	1.8		4.0	732		1.6	50	16.7	490	1.4			3.3	821	1.2	60	12.5			586	1.0	2.5	979	0.9	80	10.0	710	0.8	2.0	1104	0.7	100																																																																																																																																																																																																																																																																																																																																																																																																																																																																																																								
40.0	243	2.9	8.0	432	2.8	25			CMV 110/15	40.0	270	3.2	6.7	482	3.1					30																																																																																																																																																																																																																																																																																																																																																																																																																																																																																																																																																																					
33.3	270	3.2	6.7	482	3.1	30					25.0	350	2.4	5.0	624					2.1	40	20.0	426	1.8			4.0	732	1.6	50	16.7	490	1.4	3.3	821	1.2	60	12.5	586	1.0	2.5		979	0.9		80	10.0	710	0.8	2.0		1104	0.7		100																																																																																																																																																																																																																																																																																																																																																																																																																																																																																																																																		
25.0	350	2.4	5.0	624	2.1	40					20.0	426	1.8	4.0	732					1.6	50	16.7	490	1.4	3.3	821	1.2	60	12.5	586	1.0	2.5	979	0.9	80	10.0	710	0.8	2.0	1104	0.7		100																																																																																																																																																																																																																																																																																																																																																																																																																																																																																																																																														
20.0	426	1.8	4.0	732	1.6	50					16.7	490	1.4	3.3	821	1.2	60			12.5	586	1.0	2.5	979	0.9	80	10.0	710	0.8	2.0	1104	0.7	100																																																																																																																																																																																																																																																																																																																																																																																																																																																																																																																																																								
16.7	490	1.4	3.3	821	1.2	60	12.5	586			1.0	2.5	979	0.9	80	10.0	710			0.8	2.0	1104	0.7	100																																																																																																																																																																																																																																																																																																																																																																																																																																																																																																																																																																	
12.5	586	1.0	2.5	979	0.9	80	10.0	710			0.8	2.0	1104	0.7	100																																																																																																																																																																																																																																																																																																																																																																																																																																																																																																																																																																										
10.0	710	0.8	2.0	1104	0.7	100																																																																																																																																																																																																																																																																																																																																																																																																																																																																																																																																																																																			



Dati tecnici

Technical data

P ₁ [kW]	velocità massima max speed			velocità minima min speed			i	
	n ₂ [min ⁻¹]	M ₂ [Nm]	sf	n ₂ [min ⁻¹]	M ₂ [Nm]	sf		

P ₁ [kW]	velocità massima max speed			velocità minima min speed			i	
	n ₂ [min ⁻¹]	M ₂ [Nm]	sf	n ₂ [min ⁻¹]	M ₂ [Nm]	sf		

1.5

90L4 n _i =1400 [min ⁻¹]	20.0	438	2.4	4.0	732	2.0	50	CMV 130/15
	16.7	504	1.9	3.3	821	1.7	60	
	12.5	614	1.4	2.5	979	1.2	80	
	10.0	708	1.1	2.0	1152	1.0	100	

2.2

100LA4 n _i =1400 [min ⁻¹]	33.3	416	2.8	6.7	713	2.4	30	CMV 130/22
	25.0	533	2.1	5.0	907	1.8	40	
	20.0	657	1.6	4.0	1098	1.4	50	
	16.7	756	1.3	3.3	1231	1.1	60	
	12.5	922	1.0	2.5	1469	0.8	80	

2.2

90L2 n _i =2800 [min ⁻¹]	400	41	2.8	80.0	105.6	1.9	5	CMV 063/15	
	267	60	2.0	53.3	151	1.4	7.5		
	200	78	1.6	40.0	197	1.1	10		
		133	115	1.2	26.7	277	0.8	15	
		267	60	3.1	53.3	151	2.1	7.5	CMV 075/15
		200	79	2.6	40.0	199	1.7	10	
		133	115	1.9	26.7	284	1.2	15	
		100	151	1.3	20.0	360	0.9	20	
		80.0	185	1.0	16.0	432	0.6	25	
		66.7	213	1.1	13.3	504	0.7	30	
		267	61	4.5	53.3	153	3.1	7.5	CMV 090/15
		200	80	3.8	40.0	202	2.5	10	
	133	117	3.0	26.7	292	1.9	15		
	100	153	2.2	20.0	374	1.4	20		
	80.0	189	1.6	16.0	450	1.0	25		
	66.7	219	1.8	13.3	504	1.3	30		
	50.0	281	1.3	10.0	634	0.9	40		
	40.0	338	0.9	8.0	732	0.7	50		
	80.0	191	2.8	16.0	462	1.8	25	CMV 110/15	
	66.7	219	3.1	13.3	518	2.0	30		
	50.0	288	2.2	10.0	662	1.5	40		
	40.0	347	1.7	8.0	780	1.2	50		
	33.3	405	1.3	6.7	893	0.9	60		
	25.0	504	0.9	5.0	1094	0.7	80		
	50.0	281	3.1	10.0	653	1.9	40	CMV 130/15	
	40.0	347	2.4	8.0	804	1.5	50		
	33.3	405	1.9	6.7	922	1.2	60		
	25.0	504	1.4	5.0	1114	0.9	80		
	20.0	603	1.0	4.0	1272	0.7	100		

3

100LB4 n _i =1400 [min ⁻¹]	133	157	1.7	26.7	292	1.5	7.5	CMV 075/40
	100	204	1.3	20.0	374	1.3	10	
	66.7	299	1.0	13.3	526	0.9	15	
	133	158	2.4	26.7	299	2.2	7.5	CMV 090/40
	100	209	2.0	20.0	384	1.8	10	
	66.7	302	1.6	13.3	540	1.5	15	
	50.0	394	1.1	10.0	691	1.1	20	
	40.0	480	0.8	8.0	828	0.8	25	
	33.3	547	1.0	6.7	950	0.9	30	
	66.7	317	2.5	13.3	598	1.9	15	CMV 110/40
	50.0	418	1.8	10.0	778	1.6	20	
	40.0	504	1.4	8.0	912	1.5	25	
	33.3	598	1.5	6.7	1080	1.2	30	
	25.0	787	1.1	5.0	1382	0.9	40	
	20.0	936	0.8	4.0	1608	0.9	50	
	16.7	1080	0.6	3.3	1872	0.7	60	
	40.0	486	2.2	8.0	876	1.7	25	CMV 130/40
	33.3	554	2.1	6.7	950	1.8	30	
	25.0	710	1.5	5.0	1210	1.3	40	
	20.0	876	1.2	4.0	1464	1.0	50	
	16.7	1008	1.0	3.3	1642	0.9	60	
	12.5	1229	0.7	2.5	1958	0.6	80	

4

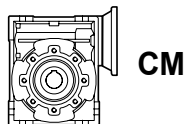
112M4 n _i =1400 [min ⁻¹]	133	211	1.8	26.7	398	1.7	7.5	CMV 090/40
	100	278	1.5	20.0	512	1.4	10	
	66.7	403	1.2	13.3	720	1.1	15	
	50.0	525	0.8	10.0	922	0.8	20	
	100	275	2.7	20.0	518	2.4	10	CMV 110/40
	66.7	398	2.0	13.3	739	1.8	15	
	50.0	525	1.4	10.0	973	1.3	20	
	40.0	648	1.1	8.0	1184	1.0	25	
	33.3	720	1.2	6.7	1248	1.2	30	
	25.0	960	0.9	5.0	1664	0.8	40	
	40.0	648	1.6	8.0	1168	1.3	25	CMV 130/40
	33.3	739	1.6	6.7	1267	1.3	30	
	25.0	947	1.2	5.0	1613	1.0	40	
	20.0	1168	0.9	4.0	1952	0.8	50	
	16.7	1344	0.7	3.3	2189	0.6	60	

100LA4 n _i =1400 [min ⁻¹]	133	117	2.2	26.7	219	2.0	7.5	CMV 075/22
	100	153	1.8	20.0	281	1.7	10	
	66.7	224	1.3	13.3	394	1.2	15	
	133	119	3.2	26.7	224	2.9	7.5	CMV 090/22
	100	157	2.7	20.0	288	2.4	10	
	66.7	227	2.1	13.3	405	2.0	15	
	50.0	295	1.5	10.0	518	1.4	20	
	40.0	360	1.1	8.0	621	1.1	25	
	33.3	410	1.3	6.7	713	1.2	30	
	133	119	5.7	26.7	224	5.1	7.5	CMV 110/22
	100	157	4.7	20.0	292	4.3	10	
	66.7	227	3.5	13.3	410	3.3	15	
	50.0	299	2.5	10.0	540	2.4	20	
	40.0	369	1.9	8.0	648	1.9	25	
	33.3	421	2.1	6.7	724	2.0	30	
	25.0	540	1.5	5.0	936	1.4	40	
	20.0	639	1.2	4.0	1098	1.1	50	
	16.7	734	0.9	3.3	1231	0.8	60	



Dimensioni

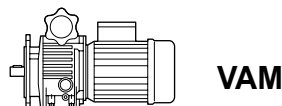
Dimensions



CM

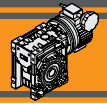
CM.. - CM..F - CM..FB - CM..FL																									
	A	C	D _{H8}	E	F	G	G1	H	I	L	M	N _{h8}	N1	O	P	Q	R	S	T	V	K	KE	a	b	t
040	70	100	18	121.5	43	70	78	50	40	71	75	60	36.5	6.5	87	55	71.5	6.5	26	35	60	M6x8 (n.4)	45°	6	20.8
050	80	120	25	144	49	80	92	60	50	85	85	70	43.5	8.5	100	64	84	7	30	40	70	M8x10 (n.4)	45°	8	28.3
063	100	144	25	174	67	95	112	72	63	103	95	80	53	8.5	110	80	102	8	36	50	85	M8x10 (n.8)	45°	8	28.3
075	120	172	28	205	72	112.5	120	86	75	112	115	95	57	11	140	93	119	10	40	60	90	M8x14 (n.8)	45°	8	31.3
090	140	205	35	238	74	129.5	140	102.5	90	130	130	110	67	13	160	102	135	11	45	70	100	M10x18 (n.8)	45°	10	38.3
110	170	252.5	42	295	—	160	155	127.5	110	144	165	130	74	14	200	125	167.5	14	50	85	115	M10x18 (n.8)	45°	12	45.3
130	200	292.5	45	335	—	180	170	147.5	130	155	215	180	81	16	250	140	187.5	15	60	100	120	M12x21 (n.8)	45°	14	48.8

	CM..F								CM..FB								CM..FL							
	a1	KA	KB	KC	KM	KN _{H8}	KO	KP	KQ	KA	KB	KC	KM	KN _{H8}	KO	KP	KA	KB	KC	KM	KN _{H8}	KO	KP	KQ
040	45°	67	7.5	4	80-95	60	9(n.4)	110	95	80	8.5	5	115-125	95	9.5(n.4)	140	97	7.5	4.5	80-95	60	9(n.4)	110	95
050	45°	90	9	5	90-110	70	11(n.4)	125	110	89	9	5	130-145	110	9.5(n.4)	160	120	9	5	90-110	70	11(n.4)	125	110
063	45°	82	10	6	150-160	115	11(n.4)	180	142	98	10	5	165-180	130	11(n.4)	200	112	10	6	150-160	115	11(n.4)	180	142
075	45°	111	13	6	165-180	130	14(n.4)	200	170	—	—	—	—	—	—	—	—	—	—	—	—	—	—	—
090	45°	111	13	6	175-190	152	14(n.4)	210	200	—	—	—	—	—	—	—	—	—	—	—	—	—	—	—
110	45°	131	15	6	230	170	14(n.8)	280	260	—	—	—	—	—	—	—	—	—	—	—	—	—	—	—
130	45°	140	15	6	255	180	16(n.8)	320	290	—	—	—	—	—	—	—	—	—	—	—	—	—	—	—



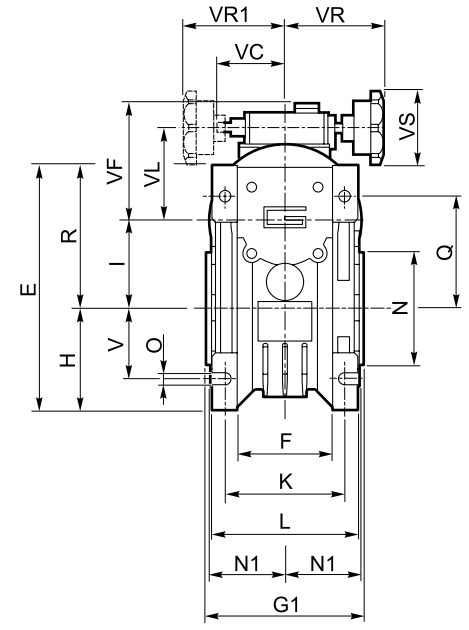
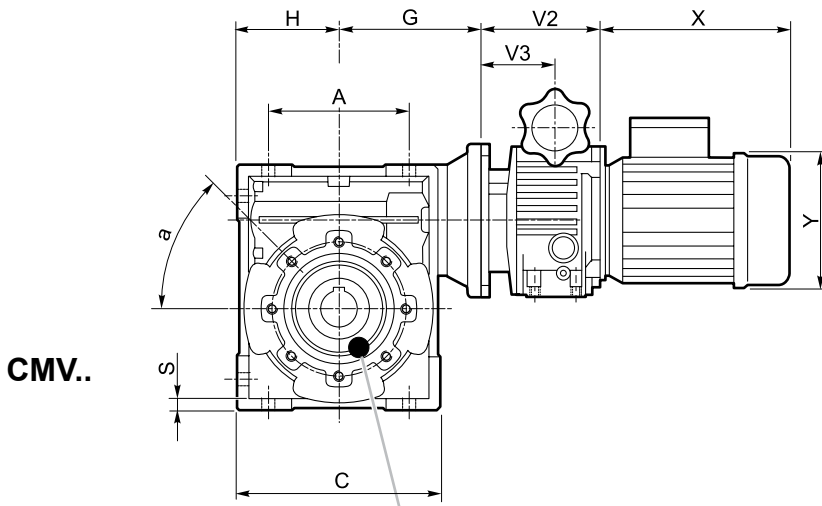
VAM

	VAM							
	V2	V3	VC	VF	VL	VR	VR1	VS
018	112.5	64.5	71	111	78	110	110	85
037	110	74	71	123	90	110	110	85
075	139	85.5	79	140	107	120	120	85
15	188	115	100	144	122	120	120	85
22	208	131	135	188	150	150	150	110
40	208	131	135	188	150	150	150	110

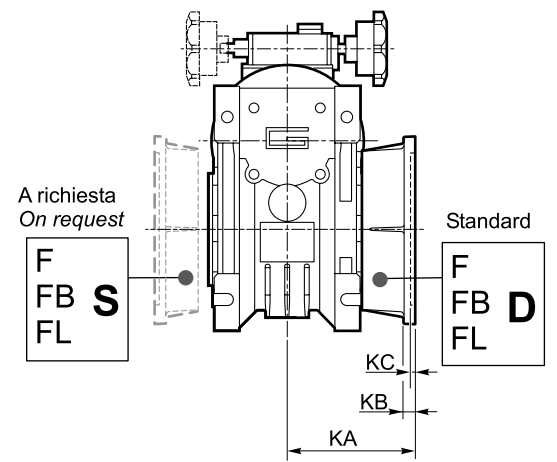
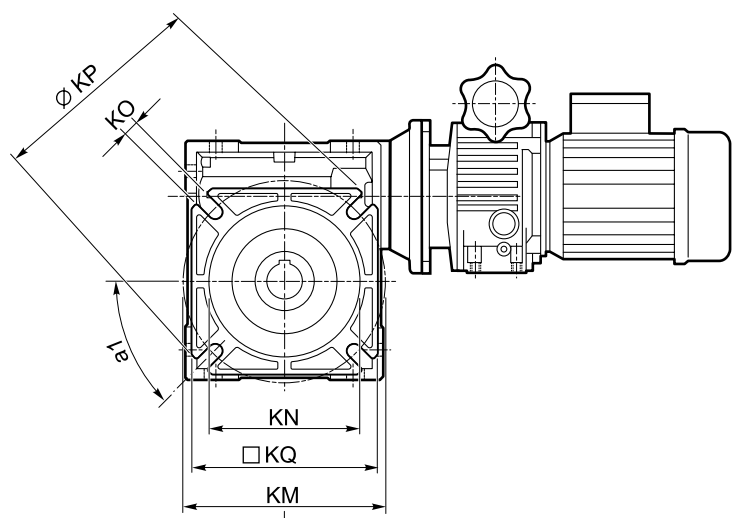
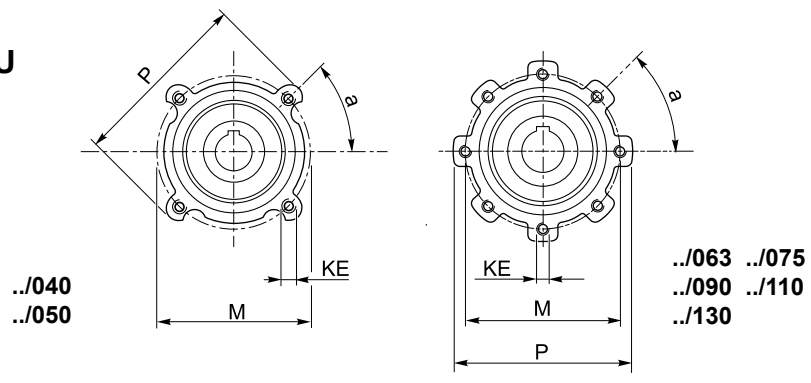


Dimensioni

Dimensions

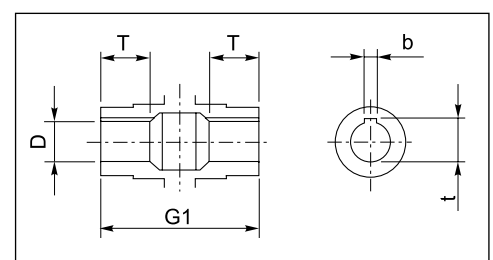
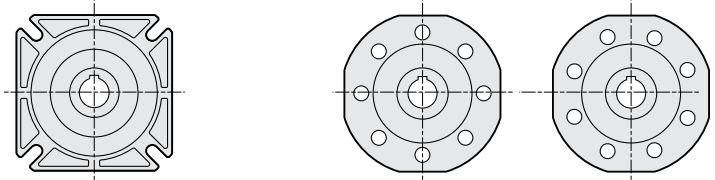


CMV..U



CMV..F (../040 - ../090)
CMV..FB (../040 - ../063)
CMV..FL (../040 - ../063)

CMV..F
 (../110) (../130)



Albero lento cavo / Hollow output shaft

CMV



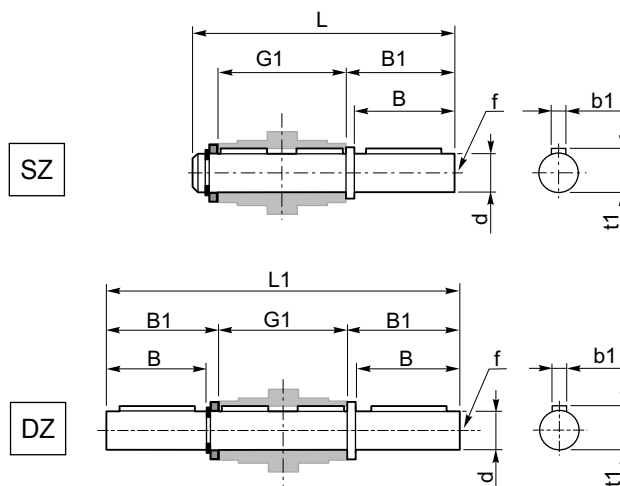
Accessori

Accessories

Albero lento semplice e doppio

Single and double output shaft

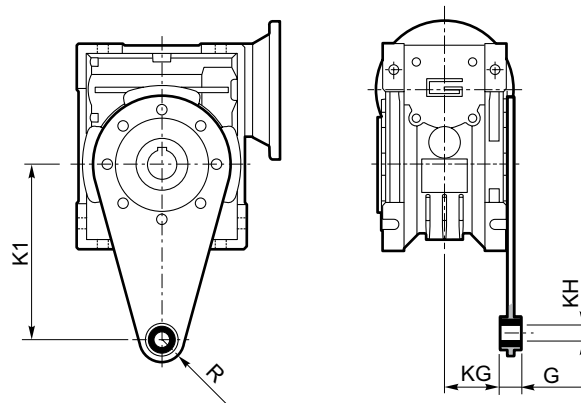
	d _{h7}	B	B1	G1	L	L1	f	b1	t1
CM 040	18	40	43	78	128	164	M6	6	20.5
CM 050	25	50	53.5	92	153	199	M10	8	28
CM 063	25	50	53.5	112	173	219	M10	8	28
CM 075	28	60	63.5	120	192	247	M10	8	31
CM 090	35	80	84.5	140	234	309	M12	10	38
CM 110	42	80	84.5	155	249	324	M16	12	45
CM 130	45	80	85	170	265	340	M16	14	48.5



Braccio di reazione

Torque arm

	K1	G	KG	KH	R
CM 040	100	14	31	10	18
CM 050	100	14	38	10	18
CM 063	150	14	47.5	10	18
CM 075	200	25	46.5	20	30
CM 090	200	25	56.5	20	30
CM 110	250	30	62	25	35
CM 130	250	30	69	25	35

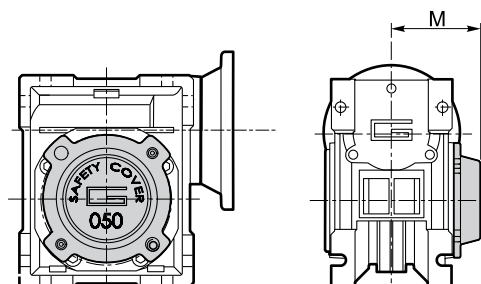
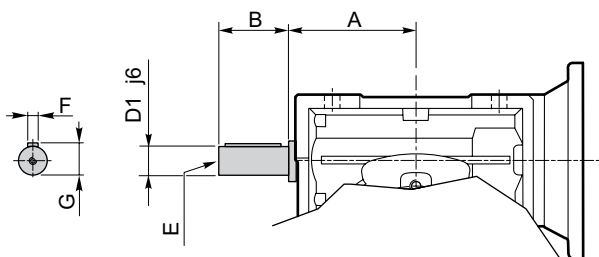


Opzioni

Options

VS - Vite sporgente / Extended input shaft

SC - Safety cover



	A	B	D _{1 j6}	E	F	G
CM 040	53	23	11	M5	4	12.5
CM 050	64	30	14	M6	5	16
CM 063	75	40	19	M6	6	21.5
CM 075	90	50	24	M8	8	27
CM 090	108	50	24	M8	8	27
CM 110	135	60	28	M10	8	31
CM 130	—	—	—	—	—	—

	M
CM 040	54.5
CM 050	62.5
CM 063	73
CM 075	79
CM 090	94
CM 110	102
CM 130	117

HEADQUARTERS

 **TRANSTECNO SRL**
Via Caduti di Sabbiano, 11 D/E
40011 Anzola Emilia (BO) - ITALY
Tel. +39.051.6425811
Fax +39.051.734943
info@transtecno.com
www.transtecno.com

MANUFACTURING PLANT

 **HANGZHOU TRANSTECNO POWER TRANSMISSIONS CO; LTD**
Changlian Road, Fengdu industry zone,
Pingyao town Yuhang area,
Hangzhou, 311115 - CHINA
Tel. +86.571.86920260
Fax. +86.571.86921810
info-china@transtecno.com
www.transtecno.cn

SALES OFFICES & WAREHOUSES

 **GEARTECNO ITALIA SRL**
Via Ferrari, 27/11
41043 Fraz. Corlo,
Formigine (MO) - ITALY
Tel. +39.059.557522
Fax +39.059.557439
info@geartecno.com
www.geartecno.com

 **TRANSTECNO B.V.**
De Stuwdam 43
ind. terrein Wieken/Vinkenhoef
3815 KM Amersfoort
THE NETHERLANDS
Tel. +31.(0)33.4519505
Fax +31.(0)33.4519506
info@transtecno.nl
www.transtecno.nl


TRANSTECNO®
THE MODULAR GEARMOTOR
www.transtecno.com

SALES OFFICES

 **SALES OFFICE BRAZIL**
Rua Dr. Freire Alemão 155 / 402
CEP. 90450-060
Auxiliadora Porto Alegre-RS-BRAZIL
Tel. +55.51.3251.5447
Fax +55.51.3251.5447
Mobile +55 51 811 45 962
braziloffice@transtecno.com
www.transtecno.com.br

 **SALES OFFICE FRANCE**
12 Impasse des Mûriers
38300 Ruy - FRANCE
Tel. +33 (0) 6 85 12 09 87
Fax - Italy +39 051 733904
franceoffice@transtecno.com
www.transtecno.fr

 **SALES OFFICE SOUTH KOREA**
D-304 Songdo BRC
Smart Valley 30,
Songdomirae-ro, Yeonsu-gu,
Incheon, 406-840, KOREA
Tel: +82 (0) 70 8288 2107
Fax. +82-32-815-2107
Mobile: +82 10 5094 2107
koreaoffice@transtecno.com
www.transtecno.co.kr

 **SALES OFFICE INDIA**
A/10, Anagha,
S.N Road, Mulund (W),
Mumbai, 400080
INDIA
Fax - Italy +39 051 733904
Mobile: +91 9820614698
indiaoffice@transtecno.com


 **SALES OFFICE OCEANIA**
Unit 11, 5-27 Wallace Ave
Point Cook 3030
Victoria - AUSTRALIA
Tel. +61.03.9369.9774
Fax +61.03.9369.9775
Mobile +61.0438.060.997
oceaniaoffice@transtecno.com
www.transtecno.com.au

 **SALES OFFICE EASTERN EUROPE & MIDDLE EAST**
St. Magnolienweg 4
D-31860 Emmerthal - GERMANY
Tel. +49.5151.963076
Fax +49.5151.963076
Mobile +49.172.4044907
emeoffice@transtecno.com

 **SALES OFFICE GUANGZHOU**
Room 401A, LeTian Building,
No.188 TangAn Road,
Tianhe District, Guangzhou City,
510665 - CHINA
Tel: + 86 20 38776057
Fax: + 86 20 38776127
guangzhouoffice@transtecno.com