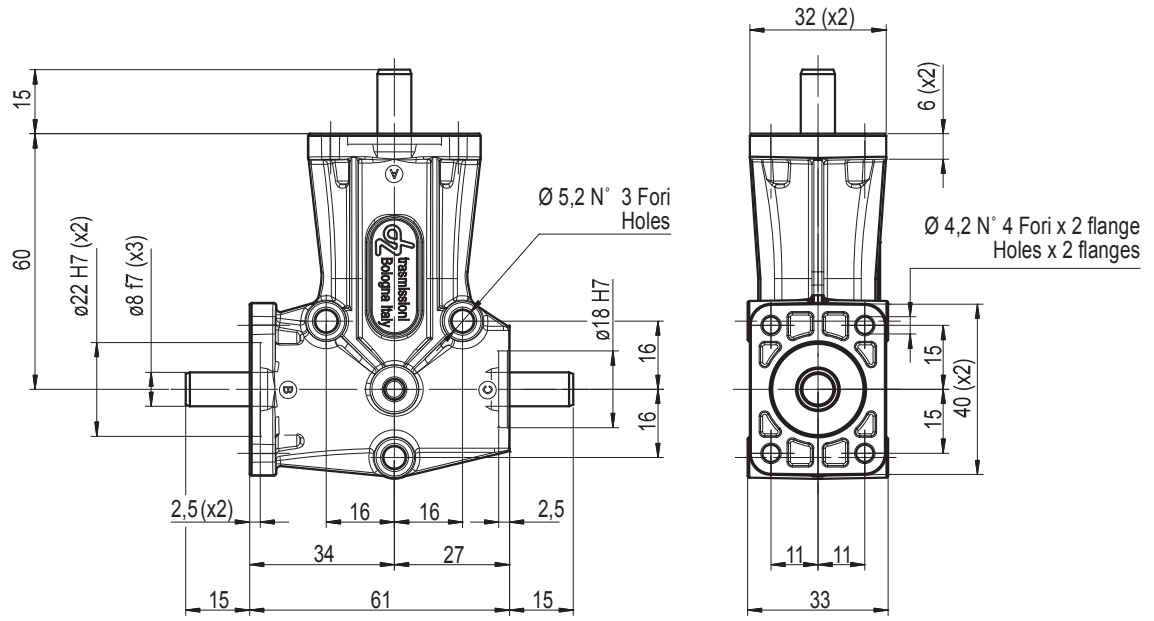




MOD.	DZ		Rapp.	Entrata	Uscita	Modello	Peso
			Ratio	In	Out	Model	Weight
MISURA SIZE	1		1/1	A	B	DZ 10S – 2FAB –	Kg 0.3
			1/1	A	C	DZ 10FS2FAC –	
FLANGE FLANGES	2		1/2	A	B	DZ 12S – 2FAB –	
			1/2	A	C	DZ 12FS2FAC –	
			1/1	A	B – C	DZ 11 – – 2FABC	
			1/2	A	B – C	DZ 13 – – 2FABC	



MOD.	DZ		Rapp.	Entrata	Uscita	Modello	Peso
			Ratio	In	Out	Model	Weight
MISURA SIZE	1		1/1	A	B	DZ 10S – 3FAB –	Kg 0.3
			1/1	A	C	DZ 10FS3FAC –	
FLANGE FLANGES	3		1/2	A	B	DZ 12S – 3 FAB –	
			1/2	A	C	DZ 12FS3FAC –	
			1/1	A	B – C	DZ 11 – – 3FABC	
			1/2	A	B – C	DZ 13 – – 3FABC	

