



Мотор-редуктор серии RVE червячный двухступенчатый

Система обозначения.

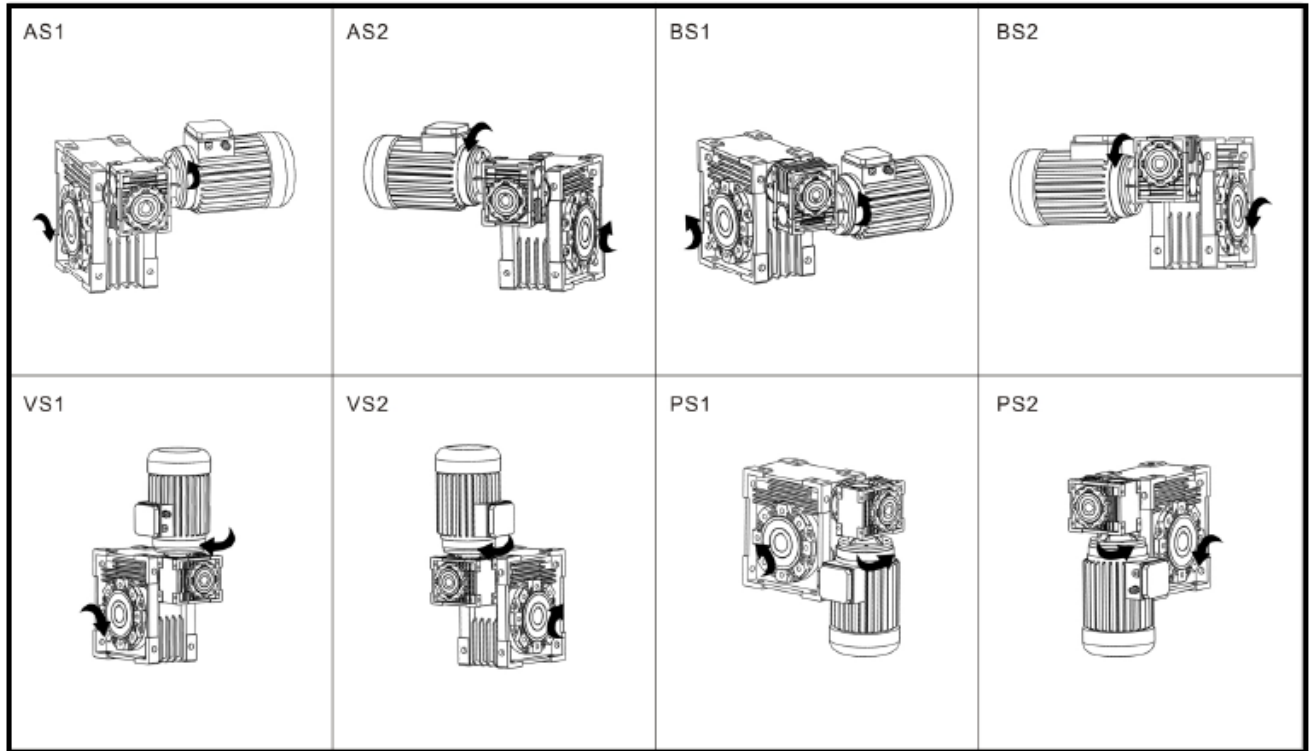
Мотор-редуктор RVE030/050U(i=300)IEC63B14 AS1 0.12kW, 1400rpm, n2=4.7/min, M2=120Nm, sf-1.4

- RVE – тип редуктора
- 030/050 – межосевое расстояние редуктора (габарит редуктора), мм;
- i=300 – передаточное отношение;
- IEC63 – обозначение входного типоразмера редуктора;
- B14 – исполнение фланца под электродвигатель (B5, B14)
- AS1 – взаимное расположение ступеней
- 0.12 – мощность электродвигателя, кВт (kW)
- 1400 – количество оборотов электродвигателя, об/мин (rpm)

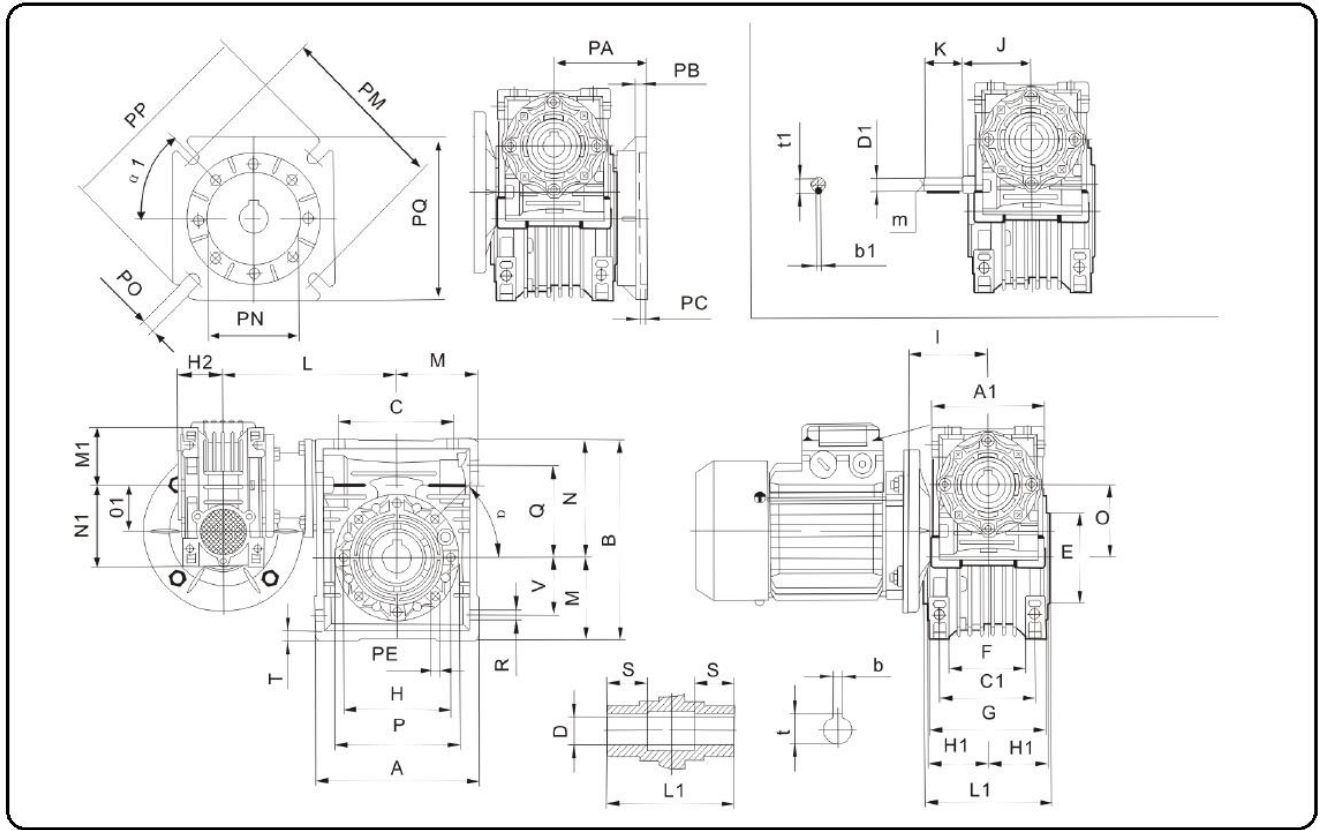
Технические характеристики мотор-редуктора

- n2= 4.7/min – число оборот выходного вала, об/мин
- M2= 120Nm – крутящий момент на выходном валу, Нм
- sf=1.4 – коэффициент эксплуатации

Взаимное расположение ступеней.



Габаритные размеры.



| RVE | A | A1 | B | C | C1 | D(F7) | D1(Δ6) | E(H8) | F | G | H | H1 | H2 | I | J | K | L | L1 | M | M1 | N | N1 | O | O1 | P |
|---------|-------|-----|-------|-----|-----|--------|--------|-------|----|-----|-----|------|------|----|----|----|-------|-----|-------|----|-------|------|-----|----|-----|
| 030/040 | 100 | 80 | 121.5 | 70 | 60 | 18(19) | 9 | 60 | 43 | 71 | 75 | 36.5 | 29 | 55 | 51 | 20 | 121 | 78 | 50 | 40 | 71.5 | 57 | 40 | 30 | 87 |
| 030/050 | 120 | 80 | 144 | 80 | 70 | 25(24) | 9 | 70 | 49 | 85 | 85 | 43.5 | 29 | 55 | 51 | 20 | 128 | 92 | 60 | 40 | 84 | 57 | 50 | 30 | 100 |
| 030/063 | 144 | 80 | 174 | 100 | 85 | 25(28) | 9 | 80 | 67 | 103 | 95 | 53 | 29 | 55 | 51 | 20 | 143 | 112 | 72 | 40 | 102 | 57 | 63 | 30 | 110 |
| 040/075 | 172 | 100 | 205 | 120 | 90 | 28(35) | 11 | 95 | 72 | 112 | 115 | 57 | 36.5 | 70 | 60 | 23 | 168 | 120 | 86 | 50 | 119 | 71.5 | 75 | 40 | 140 |
| 040/090 | 206 | 100 | 238 | 140 | 100 | 35(38) | 11 | 110 | 74 | 130 | 130 | 67 | 36.5 | 70 | 60 | 23 | 185 | 140 | 103 | 50 | 135 | 71.5 | 90 | 40 | 160 |
| 050/110 | 252.5 | 120 | 295 | 170 | 115 | 42 | 14 | 130 | - | 144 | 165 | 74 | 43.5 | 80 | 74 | 30 | 222.5 | 155 | 127.5 | 60 | 167.5 | 84 | 110 | 50 | 200 |
| 063/130 | 292.5 | 144 | 335 | 200 | 120 | 45 | 19 | 180 | - | 155 | 215 | 81 | 53 | 95 | 90 | 40 | 250.5 | 170 | 147.5 | 72 | 187.5 | 102 | 130 | 63 | 250 |
| 063/150 | 340 | 144 | 400 | 240 | 145 | 50 | 19 | 180 | - | 185 | 215 | 96 | 53 | 95 | 90 | 40 | 275 | 200 | 170 | 72 | 230 | 102 | 150 | 63 | 250 |

| RVE | Q | R | S | T | V | PA | PB | PC | PE | PM | PN(H8) | PO | PP | PQ | α | α1 | b | b1 | t | t1 | m | Kg |
|---------|-----|-----|----|-----|-----|---------|----|----|-------------|-----|--------|---------|-----|-----|-----|-------|--------|----|------------|------|----|------|
| 030/040 | 55 | 6.5 | 26 | 6.5 | 35 | 67(97) | 7 | 4 | M6x8(n=4) | 75 | 60 | 9(n=4) | 110 | 110 | 45° | 45° | 6(6) | 3 | 20.8(21.8) | 10.2 | - | 3.9 |
| 030/050 | 64 | 8.5 | 30 | 7 | 40 | 90(120) | 9 | 5 | M8x10(n=4) | 85 | 70 | 11(n=4) | 125 | 110 | 45° | 45° | 8(8) | 3 | 28.3(27.3) | 10.2 | - | 5.0 |
| 030/063 | 80 | 8.5 | 36 | 8 | 50 | 82(112) | 10 | 6 | M8x14(n=8) | 150 | 115 | 11(n=4) | 180 | 142 | 45° | 45° | 8(8) | 3 | 28.3(31.3) | 10.2 | - | 7.8 |
| 040/075 | 93 | 11 | 40 | 10 | 60 | 111 | 13 | 6 | M8x14(n=8) | 165 | 130 | 14(n=4) | 200 | 170 | 45° | 45° | 8(10) | 4 | 31.3(38.3) | 12.5 | - | 12.0 |
| 040/090 | 102 | 13 | 45 | 11 | 70 | 111 | 13 | 6 | M10x18(n=8) | 175 | 152 | 14(n=4) | 210 | 200 | 45° | 45° | 10(10) | 4 | 38.3(41.3) | 12.5 | - | 16.0 |
| 050/110 | 125 | 14 | 50 | 14 | 85 | 131 | 15 | 6 | M10x18(n=8) | 230 | 170 | 14(n=8) | 280 | 260 | 45° | 45° | 12 | 5 | 45.3 | 16.0 | M6 | 39.2 |
| 063/130 | 140 | 16 | 60 | 15 | 100 | 140 | 15 | 6 | M12x21(n=8) | 255 | 180 | 16(n=8) | 320 | 290 | 45° | 22.5° | 14 | 6 | 48.3 | 21.5 | M6 | 55.0 |
| 063/150 | 180 | 18 | 70 | 18 | 120 | 155 | 15 | 6 | M12x21(n=8) | 255 | 180 | 16(n=8) | 320 | 290 | 45° | 22.5° | 14 | 6 | 53.5 | 21.5 | M6 | 91 |

Таблица выбора.

| KW | TYPE | i | n ₂ (r/min) | M ₂ (N.M) | i ₁ | i ₂ | |
|------------|------------|------------|------------------------|----------------------|----------------|----------------|----|
| 0.06KW | RVE030/040 | 300 | 4.7 | 68.7 | 10 | 30 | |
| | RVE030/040 | 400 | 3.5 | 90.7 | 10 | 40 | |
| | RVE030/040 | 500 | 2.8 | 101.6 | 20 | 25 | |
| | RVE030/040 | 600 | 2.3 | 111.5 | 20 | 30 | |
| | RVE030/040 | 750 | 1.9 | 145.0 | 25 | 30 | |
| | RVE030/040 | 900 | 1.6 | 165.8 | 30 | 30 | |
| | RVE030/050 | | | 174.7 | 30 | 30 | |
| | RVE030/040 | 1200 | 1.2 | 218.8 | 30 | 40 | |
| | RVE030/050 | | | 227.0 | 30 | 40 | |
| | RVE030/040 | 1500 | 0.9 | 234.9 | 50 | 30 | |
| | RVE030/050 | | | 247.5 | 50 | 30 | |
| | RVE030/063 | | | 270.2 | 30 | 50 | |
| | RVE030/040 | 1800 | 0.8 | 258.6 | 60 | 30 | |
| | RVE030/050 | | | 272.3 | 60 | 30 | |
| | RVE030/063 | | | 280.6 | 30 | 60 | |
| | RVE030/040 | 2400 | 0.6 | 341.2 | 60 | 40 | |
| | RVE030/050 | | | 353.9 | 60 | 40 | |
| | RVE030/063 | | | 365.7 | 60 | 40 | |
| | RVE040/075 | | | 388.7 | 60 | 40 | |
| | RVE030/040 | | | 3000 | 0.5 | 385.6 | 60 |
| RVE030/050 | 404.8 | 60 | 50 | | | | |
| RVE030/063 | 421.4 | 60 | 50 | | | | |
| RVE040/075 | 485.3 | 60 | 50 | | | | |
| RVE030/040 | 3200 | 0.4 | 369.2 | 80 | 40 | | |
| 0.09KW | RVE030/040 | 300 | 4.7 | 103.1 | 10 | 30 | |
| | RVE030/050 | 400 | 3.5 | 141.1 | 10 | 40 | |
| | RVE030/050 | 500 | 2.8 | 161.3 | 10 | 50 | |
| | RVE030/050 | 600 | 2.3 | 176.2 | 20 | 30 | |
| | RVE030/050 | 750 | 1.9 | 229.1 | 25 | 30 | |
| | RVE030/063 | 900 | 1.6 | 272.7 | 30 | 30 | |
| | RVE030/063 | 1200 | 1.2 | 351.8 | 30 | 40 | |
| | RVE040/075 | 1500 | 0.9 | 450.5 | 50 | 30 | |
| | RVE040/075 | 1800 | 0.8 | 460.0 | 60 | 30 | |
| | RVE040/090 | 2400 | 0.6 | 579.3 | 60 | 40 | |
| | RVE040/090 | 3000 | 0.5 | 688.2 | 60 | 50 | |
| | RVE030/050 | 300 | 4.7 | 144.7 | 10 | 30 | |
| 0.12KW | RVE030/050 | 400 | 3.5 | 188.1 | 10 | 40 | |
| | RVE030/063 | 500 | 2.8 | 223.9 | 10 | 50 | |
| | RVE030/063 | 600 | 2.3 | 275.0 | 15 | 40 | |
| | RVE030/063 | 750 | 1.9 | 316.8 | 15 | 50 | |
| | RVE040/075 | 900 | 1.6 | 402.8 | 30 | 30 | |
| | RVE030/063 | 1200 | 1.2 | 469.1 | 30 | 40 | |
| | RVE040/075 | | | 510.5 | 30 | 40 | |
| | RVE040/090 | 1500 | 0.9 | 602.5 | 30 | 50 | |
| | RVE040/090 | 1800 | 0.8 | 686.2 | 30 | 60 | |
| | RVE040/090 | 2400 | 0.6 | 772.4 | 60 | 40 | |
| | RVE050/110 | 3000 | 0.5 | 1003.2 | 60 | 50 | |
| | 0.18KW | RVE030/050 | 300 | 4.7 | 217.1 | 10 | 30 |
| RVE030/063 | | 400 | 3.5 | 291.5 | 10 | 40 | |
| RVE030/063 | | 500 | 2.8 | 335.9 | 10 | 50 | |
| RVE040/075 | | 600 | 2.3 | 472.6 | 20 | 30 | |
| RVE040/075 | | 750 | 1.9 | 550.4 | 25 | 30 | |
| RVE040/090 | | 900 | 1.6 | 599.7 | 30 | 30 | |
| RVE040/090 | | 1200 | 1.2 | 760.8 | 30 | 40 | |
| RVE040/090 | | 1500 | 0.9 | 903.7 | 30 | 50 | |
| RVE050/110 | | 1800 | 0.8 | 932.3 | 60 | 30 | |
| RVE050/110 | | 2400 | 0.6 | 1216.4 | 60 | 40 | |
| 0.25KW | | RVE040/075 | 300 | 4.7 | 347.6 | 10 | 30 |
| | | RVE040/075 | 400 | 3.5 | 440.6 | 10 | 40 |
| | RVE040/075 | 500 | 2.8 | 550.1 | 10 | 50 | |
| | RVE040/090 | 600 | 2.3 | 639.1 | 15 | 40 | |

| KW | TYPE | i | n ₂ (r/min) | M ₂ (N.M) | i ₁ | i ₂ | |
|------------|------------|------------|------------------------|----------------------|----------------|----------------|----|
| 0.25KW | RVE040/090 | 750 | 1.9 | 790.7 | 15 | 50 | |
| | RVE040/090 | 900 | 1.6 | 900.6 | 15 | 60 | |
| | RVE050/110 | 1200 | 1.2 | 1129.0 | 30 | 40 | |
| | RVE050/110 | 1500 | 0.9 | 1285.9 | 50 | 30 | |
| | RVE050/110 | 1800 | 0.8 | 1294.9 | 60 | 30 | |
| | RVE063/130 | 2400 | 0.6 | 1820.3 | 60 | 40 | |
| | RVE063/130 | 3000 | 0.5 | 2214.1 | 60 | 50 | |
| | RVE063/150 | 1800 | 0.78 | 1199 | 60 | 30 | |
| | RVE063/150 | 2400 | 0.6 | 1446 | 60 | 40 | |
| | RVE063/150 | 3000 | 0.5 | 1713 | 60 | 50 | |
| | RVE063/150 | 4000 | 0.4 | 2026 | 50 | 80 | |
| | RVE063/150 | 5000 | 0.3 | 2251 | 50 | 100 | |
| | 0.37KW | RVE040/075 | 300 | 4.7 | 514.5 | 10 | 30 |
| | | RVE040/090 | | | 499.3 | 7.5 | 40 |
| | | RVE040/090 | 400 | 3.5 | 647.9 | 10 | 40 |
| RVE040/090 | | 500 | 2.8 | 769.7 | 10 | 50 | |
| RVE040/090 | | 600 | 2.3 | 932.5 | 15 | 40 | |
| RVE050/110 | | 750 | 1.9 | 1157.2 | 25 | 30 | |
| RVE050/110 | | 900 | 1.6 | 1280.6 | 30 | 30 | |
| RVE063/130 | | 1200 | 1.2 | 1741.2 | 40 | 30 | |
| RVE063/130 | | 1500 | 0.9 | 2006.2 | 50 | 30 | |
| RVE063/130 | | 1800 | 0.8 | 2082.8 | 60 | 30 | |
| RVE063/150 | | 1800 | 0.78 | 1774 | 60 | 30 | |
| RVE063/150 | | 2400 | 0.6 | 2141 | 60 | 40 | |
| RVE063/150 | | 3000 | 0.5 | 2535 | 60 | 50 | |
| 0.55KW | | RVE050/110 | 300 | 4.7 | 760.4 | 10 | 30 |
| | | RVE050/110 | 400 | 3.5 | 992.1 | 10 | 40 |
| | RVE050/110 | 500 | 2.8 | 1227.3 | 10 | 50 | |
| | RVE050/110 | 600 | 2.3 | 1411.3 | 15 | 40 | |
| | RVE050/110 | 750 | 1.9 | 1720.2 | 25 | 30 | |
| | RVE063/130 | 900 | 1.2 | 2595.0 | 30 | 30 | |
| | RVE063/150 | 1800 | 0.78 | 2637 | 60 | 30 | |
| | RVE063/150 | 2400 | 0.6 | 3182 | 60 | 40 | |
| | 0.75KW | RVE050/110 | 300 | 4.7 | 1036.9 | 10 | 30 |
| | | RVE050/110 | 400 | 3.5 | 1352.9 | 10 | 40 |
| | | RVE063/130 | 500 | 2.8 | 1686.7 | 10 | 50 |
| | | RVE063/130 | 600 | 2.3 | 1984.5 | 15 | 40 |
| RVE063/130 | | 750 | 1.9 | 2403.0 | 25 | 30 | |
| RVE063/130 | | 900 | 1.6 | 2735.8 | 30 | 30 | |
| RVE063/150 | | 500 | 2.8 | 1290 | 10 | 50 | |
| RVE063/150 | | 600 | 2.3 | 1529 | 15 | 40 | |
| RVE063/150 | | 750 | 1.9 | 1783 | 25 | 30 | |
| RVE063/150 | | 900 | 1.6 | 2215 | 30 | 30 | |
| RVE063/150 | | 1200 | 1.2 | 2680 | 30 | 40 | |
| RVE063/130 | | 300 | 4.7 | 1572.5 | 10 | 30 | |
| 1.1KW | RVE063/130 | 400 | 3.5 | 2033.9 | 10 | 40 | |
| | RVE063/150 | 150 | 9.3 | 752 | 10 | 15 | |
| | RVE063/150 | 200 | 7.0 | 966 | 10 | 20 | |
| | RVE063/150 | 250 | 5.6 | 1175 | 10 | 25 | |
| | RVE063/150 | 300 | 4.7 | 1364 | 10 | 30 | |
| | RVE063/150 | 400 | 3.5 | 1619 | 10 | 40 | |
| | RVE063/150 | 500 | 2.8 | 1893 | 10 | 50 | |
| | RVE063/150 | 600 | 2.3 | 2242 | 15 | 40 | |
| | RVE063/150 | 750 | 1.9 | 2616 | 25 | 30 | |
| | RVE063/130 | 300 | 4.7 | 2144.3 | 10 | 30 | |
| | RVE063/150 | 150 | 9.3 | 1026 | 10 | 15 | |
| | RVE063/150 | 200 | 7 | 1317 | 10 | 20 | |
| 1.5KW | RVE063/150 | 250 | 5.6 | 1602 | 10 | 25 | |
| | RVE063/150 | 300 | 4.7 | 1860 | 10 | 30 | |
| | RVE063/150 | 400 | 3.5 | 2208 | 10 | 40 | |
| | RVE063/150 | 500 | 2.8 | 2582 | 10 | 50 | |
| | RVE063/150 | 600 | 2.3 | 3057 | 15 | 40 | |